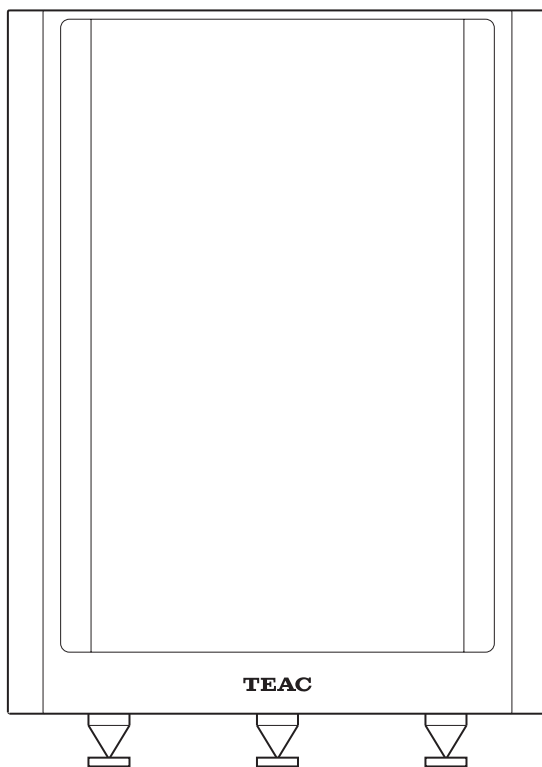
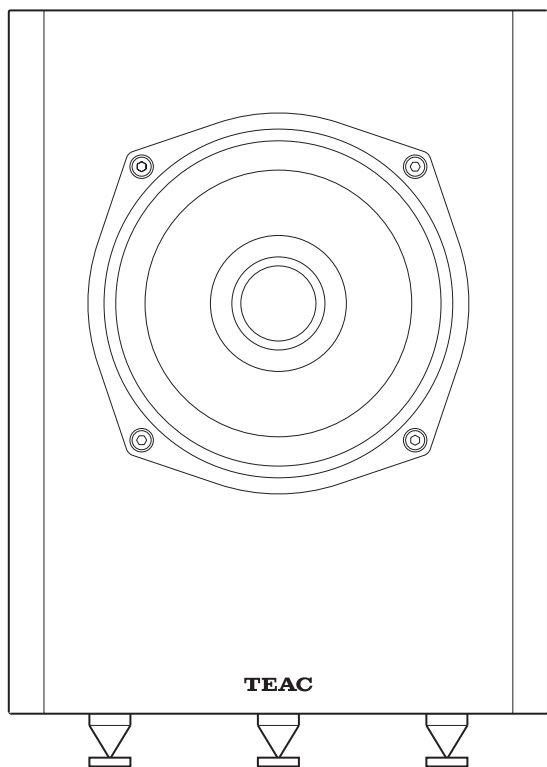


TEAC

S-300NEO

Coaxial 2-Way Speaker System

OWNER'S MANUAL



Before use

Thank you for choosing TEAC. Read this manual carefully to get the best performance from this unit.

Checking the included accessories

In the unlikely event that any of the following included items is missing or damaged, please contact the store where you purchased the product or our customer support (contact information on back cover).

- Speaker cables (2 m) × 2
- Screw spikes × 6
- Washers × 6
- Spike bases × 6
- Cleaning cloth × 1
- This Owner's Manual (including warranty) × 1

To use this product safely

Please read the following cautions carefully in order to prevent injury to yourself or others and damage to property.



CAUTION

Ignoring the following items and mishandling equipment could result in electric shock or other accidents, leading to injury or damage to nearby property.

Before connecting to an amplifier or similar equipment, turn off the power, carefully read the manuals of the equipment that you are connecting and follow their instructions. Always use the specified cords to make connections.

Minimize the volume before turning the power on.

Failure to do so could cause sudden loud noises that might harm your hearing or cause other trouble.

Do not install in an unstable location, such as on an unstable stand or on a slope, or in a location with frequent vibrations.

It could fall down or fall over, causing injury.

Do not use for long periods of time to listen to distorted audio.

Doing so could cause the speaker units to generate heat, leading to fire or injury.

Precautions for use

- Do not strike the enclosure (cabinet) or front surface Saran Fiber with hard objects. Doing so could cause scratching or damage the speaker units.
- Avoid contact with rubber and vinyl for long periods of time, because it could damage the surface.
- This product has been designed to minimize magnetic effects, but you should not place cards, tapes and discs that use magnetic recording or other items that are easily affected by magnetic force on top of it. Failure to do so could result in data loss or damage.
- Listen within an appropriate input level range from the amplifier. Excessive input could damage the speaker units.

Moreover, even if the input level is less than the maximum, signals with a frequent clipping, for example, will have a negative impact on the speaker units. Please be careful to prevent distortion of the audio at the amplifier.

Cleaning

- When the surface becomes dirty, wipe it with the included cleaning cloth. Do not wipe it with fine-meshed cleaning cloths, chemical cleaning cloths, thinner, abrasives or similar materials. Doing so could damage the surface.
- Use a clothing brush or a similar tool to remove dust that sticks to the Saran Fiber.

Company names and product names in this document are the trademarks or registered trademarks of their owners.

Setting up the speakers

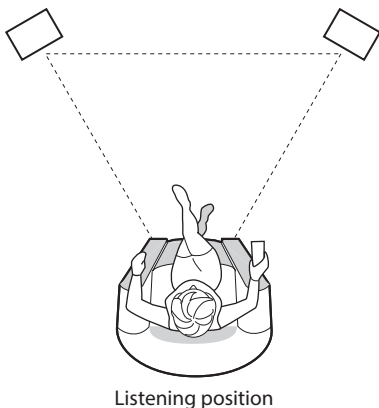
Precautions for installation

- Do not install in a location that becomes hot, including places exposed to direct sunlight or near heating equipment. Doing so could cause damage.
- Do not install in a location that becomes humid, including near humidifiers. Moreover, do not install in a location that become smoky. Doing so could cause damage.
- Do not install in an unstable location, such as on an unstable stand or on a slope, or in a location that vibrates. It could fall down or fall over, causing injury. Moreover, be very careful to prevent the product from falling over due to uneven leg heights, for example.
- This product has been designed to minimize magnetic effects, but installation near a CRT television might cause color inconsistencies to appear on the screen. If this should occur, move the speakers and the television far enough apart so that the inconsistencies disappear. LCD televisions and plasma televisions are not affected by magnetism.
- Do not place obstacles between the speakers and the listening position. Obstacles block the direct sound, which can change the sound quality.
- Ideally, no items that reflect sound or resonate should be in the nearby environment. For example, glass doors sometimes resonate. To prevent this, fix them securely or use thick curtains or similar materials to absorb sound.

In addition, parallel walls make it easy for standing waves to occur, so place furniture to disrupt parallel surfaces and use thick curtains or similar materials to absorb sound

Speaker placement

- For stereo playback, the left and right speakers should usually be placed so that they form an equilateral or isosceles triangle with the listener at the top corner.

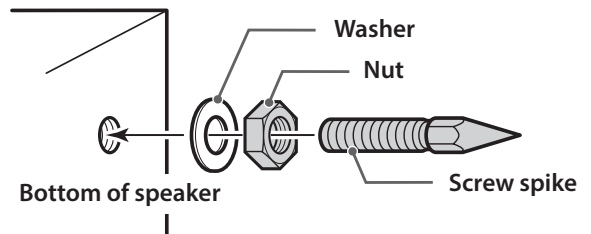


Using the screw spikes

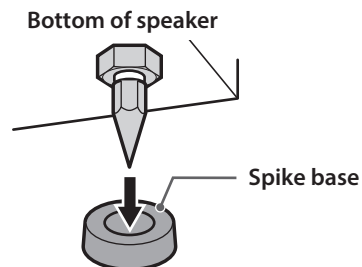
Screw spikes and spike bases are included with these speakers. Using these spikes might improve the clarity of bass frequencies. Use them according to the compatibility with the amplifier and the conditions of the room.

Since the spikes are pointed, they could damage surfaces that they are placed on. Use the included spike bases if you want to avoid this.

- 1 Spread a blanket or similar material on the work surface and place the speakers on their sides.**
- 2 Screw the spikes into the screw holes on the bottoms of the speakers, using the nuts to adjust their heights.**



- 3 After attaching spikes in three places, place the speaker where it will be used and adjust the height of each spike so that the bottom is level, and then tighten the nuts securely. When placing the speaker on furniture or flooring, for example, use the included spike bases to prevent damage. Place the bases so that the tips of the spikes fill their hollows.**



- ⚠ Be careful not to let the speakers fall over and cause injury. They are more likely to fall over during earthquakes, in particular, so we encourage you to consider this when you place them.
- ⚠ The tips of the spikes are very sharp, so be very careful not to injure your feet, hands or fingers.

Connecting the speakers

Speaker cables

- Use the included speaker cables or commercially-available cables designed for speakers.
- We recommend using the shortest speaker cables possible.
- We recommend using left and right speaker cables of the same length.

CAUTION

Before connecting

Always turn the amplifier's power OFF before connecting speakers.

After connecting

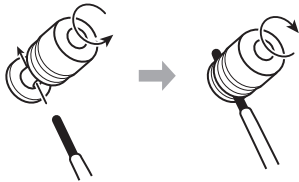
Turn the volume down completely before turning the amplifier's power ON to prevent sudden loud noises.

Confirm that the speaker terminals have been connected correctly and that cables are not contacting other terminals.

Connecting the cables

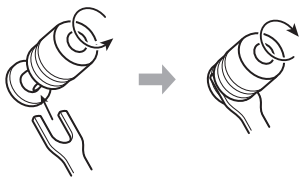
Bare/sleeved wire

Insert the core wire through the hole in the terminal completely and tighten the cap firmly.



Spade lugs

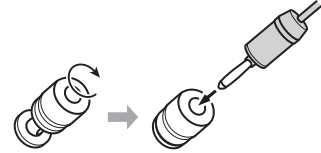
Place the spade around the terminal and tighten the cap firmly.



- When using spade lugs to connect the speakers, they should have an inside diameter of at least 8 mm.

Banana plugs

After connecting the banana plug to the speaker cable, insert the plug into the terminal.



Tighten the cap

- Carefully read the instructions for the banana plugs that you are using.

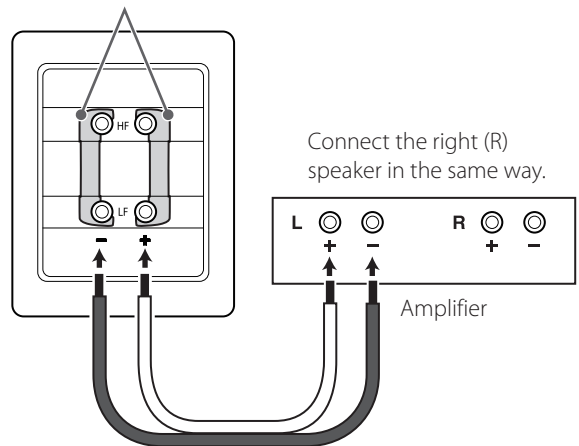
Normal connections

Leaving the links attached, connect the HF+ (high frequency +) terminals or LF+ (low frequency +) terminal to the amplifier + terminal and connect the HF- (high frequency -) terminal or LF- (low-frequency -) to the amplifier - terminal.

We recommend connecting the LF (low frequency) terminals with this unit.

Example of connecting LF (low frequency) terminals to an amplifier

Links (do not remove)



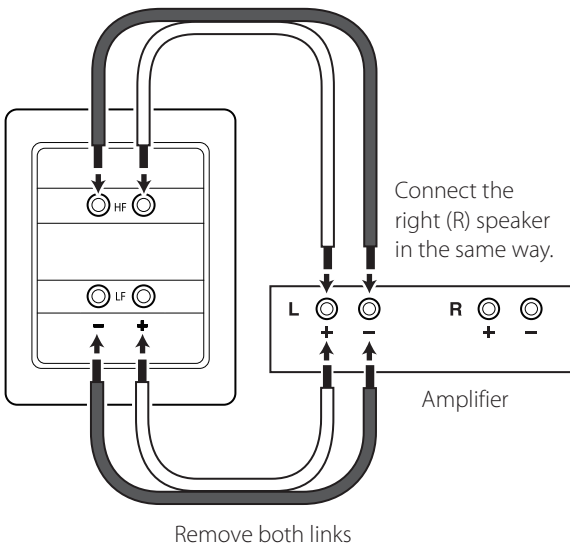
- Do not remove the links that connect the two + terminals together and the two - terminals together.

Connecting the speakers

Biwiring

These speakers support biwiring, allowing you to directly connect the LF (low frequency) and HF (high frequency) for each speaker. This connection method is intended to achieve even better playback audio quality than normal connections.

Use a pair of cables each for the LF (low frequency) and HF (high frequency), and connect the + terminals to the amplifier + terminal(s) and the – terminals to the amplifier – terminal(s).



- Use speaker cables of the same length for both the high-frequency and low-frequency connections.
- Remove the links connecting the two + terminals together and the two – terminals together.

Checking the phase

If the polarities (+/–) of the left and right speakers do not match, they will be out of phase and good stereo playback sound will not be possible.

To check the phase, play a mono audio recording that has strong bass frequencies through one speaker and then both speakers. If the bass frequencies sound is weaker with both speakers, they are probably out of phase.

If they are in phase, low-frequency sound should be rich abundant and the stereo image should be placed in the middle between the left and right speakers. If they are out of phase, low frequencies will be missing and the stereo image will be unclear. In this case, check the polarities (+/–) of the connections between the speakers and the amplifier.

By reversing the polarity for one speaker, the phase can be corrected. Speaker cables are connected to the input terminals on the backs of the speakers. The red terminal is positive (+) and the black terminal is negative (–). Check these carefully when making connections.

Specifications

Format		Coaxial two-way speakers Bass reflex (rear ports) Magnetically shielded
Loudspeaker units	Low-frequency	13cm cone
	High-frequency	2.5cm soft dome
Rated input		50 W
Maximum input		100 W
Impedance		6 Ω
Output sound pressure level		86 dB/W/m
Playback frequency range		55–33,000 Hz
Crossover frequency		3.5 kHz
Cabinet volume		5.7 liters
External dimensions (W × H × D)		184 × 240 × 229 mm (not including terminal protrusions or spikes)
Weight		4.3 kg/speaker
Included accessories		Speaker cables (2m) × 2 Screw spikes × 6 Washers × 6 Spike bases × 6 Cleaning cloth × 1 Owner's Manual (including warranty) (this document) × 1

- In order to improve the product, specifications and appearances might be changed without notice.
- Illustrations in this Owner's Manual might differ in part from the actual product.

TEAC

TEAC CORPORATION	1-47 Ochiai, Tama-shi, Tokyo 206-8530, Japan Phone: (042) 356-9156
TEAC AMERICA, INC.	7733 Telegraph Road, Montebello, California 90640 U.S.A. Phone: (323) 726-0303
TEAC MEXICO, S.A. de C.V.	Río Churubusco 364, Colonia Del Carmen, Delegación Coyoacán, CP 04100, México DF, México Phone: (5255)5010-6000
TEAC EUROPE GmbH	Bahnstraße 12, D-65205 Wiesbaden-Erbenheim, Deutschland Phone: 0611-71580

This appliance has a serial number located on the rear panel. Please record the model number and serial number and retain them for your records.

Model name: S-300NEO

Serial number:

0912 MA-1878A