

# TEAC

# CD-1000

## SACD/CD PLAYER

**OWNERS MANUAL**

**MODE D'EMPLOI**

**MANUAL DEL USUARIO**

**BEDIENUNGSANLEITUNG**

**MANUALE DI ISTRUZIONI**

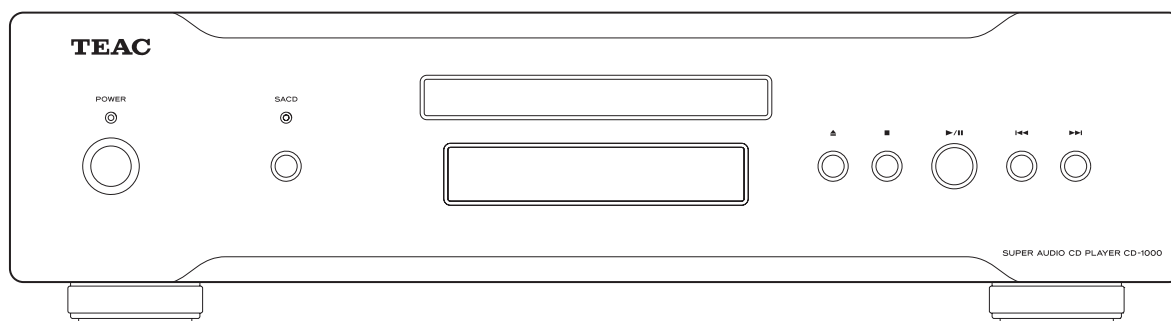
ENGLISH

FRANÇAIS

ESPAÑOL

DEUTSCH

ITALIANO





**CAUTION**  
RISK OF ELECTRIC SHOCK  
DO NOT OPEN



CAUTION: TO REDUCE THE RISK OF ELECTRIC SHOCK, DO NOT REMOVE COVER (OR BACK). NO USER-SERVICEABLE PARTS INSIDE. REFER SERVICING TO QUALIFIED SERVICE PERSONNEL.




The lightning flash with arrowhead symbol, within an equilateral triangle, is intended to alert the user to the presence of uninsulated "dangerous voltage" within the product's enclosure that may be of sufficient magnitude to constitute a risk of electric shock to persons.



The exclamation point within an equilateral triangle is intended to alert the user to the presence of important operating and maintenance (servicing) instructions in the literature accompanying the appliance.

## IMPORTANT SAFETY INSTRUCTIONS

- 1) Read these instructions.
  - 2) Keep these instructions.
  - 3) Heed all warnings.
  - 4) Follow all instructions.
  - 5) Do not use this apparatus near water.
  - 6) Clean only with dry cloth.
  - 7) Do not block any ventilation openings. Install in accordance with the manufacturer's instructions.
  - 8) Do not install near any heat sources such as radiators, heat registers, stoves, or other apparatus (including amplifiers) that produce heat.
  - 9) Do not defeat the safety purpose of the polarized or grounding-type plug. A polarized plug has two blades with one wider than the other. A grounding type plug has two blades and a third grounding prong. The wide blade or the third prong are provided for your safety. If the provided plug does not fit into your outlet, consult an electrician for replacement of the obsolete outlet.
  - 10) Protect the power cord from being walked on or pinched particularly at plugs, convenience receptacles, and the point where they exit from the apparatus.
  - 11) Only use attachments/accessories specified by the manufacturer.
  - 12) Use only with the cart, stand, tripod, bracket, or table specified by the manufacturer, or sold with the apparatus. When a cart is used, use caution when moving the cart/apparatus combination to avoid injury from tip-over.
- 
- 13) Unplug this apparatus during lightning storms or when unused for long periods of time.
  - 14) Refer all servicing to qualified service personnel. Servicing is required when the apparatus has been damaged in any way, such as power-supply cord or plug is damaged, liquid has been spilled or objects have fallen into the apparatus, the apparatus has been exposed to rain or moisture, does not operate normally, or has been dropped.

"DSD" is a registered trademark.

"Super Audio CD" is a registered trademark.

Other company names and product names in this document are the trademarks or registered trademarks of their respective owners.

- Do not expose this apparatus to drips or splashes.
- Do not place any objects filled with liquids, such as vases, on the apparatus.
- Do not install this apparatus in a confined space such as a book case or similar unit.
- The apparatus draws nominal non-operating power from the AC outlet with its POWER or STANDBY/ON switch not in the ON position.
- The apparatus should be located close enough to the AC outlet so that you can easily reach the power cord plug at any time.
- The mains plug is used as the disconnect device, the disconnect device shall remain readily operable.
- Products with Class I construction are equipped with a power supply cord that has a grounding plug. The cord of such a product must be plugged into an AC outlet that has a protective grounding connection.
- If the product uses batteries (including a battery pack or installed batteries), they should not be exposed to sunshine, fire or excessive heat.
- CAUTION for products that use replaceable lithium batteries: there is danger of explosion if a battery is replaced with an incorrect type of battery. Replace only with the same or equivalent type.
- Caution should be taken when using earphones or headphones with the product because excessive sound pressure (volume) from earphones or headphones can cause hearing loss.

**WARNING: TO PREVENT FIRE OR SHOCK HAZARD, DO NOT EXPOSE THIS APPLIANCE TO RAIN OR MOISTURE.**

### **CAUTION**

- DO NOT REMOVE THE EXTERNAL CASES OR CABINETS TO EXPOSE THE ELECTRONICS. NO USER SERVICEABLE PARTS ARE INSIDE.
- IF YOU ARE EXPERIENCING PROBLEMS WITH THIS PRODUCT, CONTACT TEAC FOR A SERVICE REFERRAL. DO NOT USE THE PRODUCT UNTIL IT HAS BEEN REPAIRED.
- USE OF CONTROLS OR ADJUSTMENTS OR PERFORMANCE OF PROCEDURES OTHER THAN THOSE SPECIFIED HEREIN MAY RESULT IN HAZARDOUS RADIATION EXPOSURE.

### **For U.S.A.**

This equipment has been tested and found to comply with the limits for a Class B digital device, pursuant to Part 15 of the FCC Rules. These limits are designed to provide reasonable protection against harmful interference in a residential installation. This equipment generates, uses, and can radiate radio frequency energy and, if not installed and used in accordance with the instructions, may cause harmful interference to radio communications. However, there is no guarantee that interference will not occur in a particular installation. If this equipment does cause harmful interference to radio or television reception, which can be determined by turning the equipment off and on, the user is encouraged to try to correct the interference by one or more of the following measures:

- Reorient or relocate the equipment and/or the receiving antenna.
- Increase the separation between the equipment and receiver.
- Connect the equipment into an outlet on a circuit different from that to which the receiver is connected.
- Consult the dealer or an experienced radio/TV technician for help.

### **CAUTION**

Changes or modifications to this equipment not expressly approved by TEAC CORPORATION for compliance will void the user's warranty.


### **For Canada**

Industry Canada's Compliance Statement:


This Class B digital apparatus complies with Canadian ICES-003.  
Cet appareil numérique de la classe B est conforme à la norme NMB-003 du Canada.

### For European customers

#### Disposal of electrical and electronic equipment

- (a) All electrical and electronic equipment should be disposed of separately from the municipal waste stream via collection facilities designated by the government or local authorities.
- (b) By disposing of electrical and electronic equipment correctly, you will help save valuable resources and prevent any potential negative effects on human health and the environment.
- (c) Improper disposal of waste electrical and electronic equipment can have serious effects on the environment and human health because of the presence of hazardous substances in the equipment.
- (d) The Waste Electrical and Electronic Equipment (WEEE) symbol, which shows a wheeled bin that has been crossed out, indicates that electrical and electronic equipment must be collected and disposed of separately from household waste. 
- (e) Return and collection systems are available to end users. For more detailed information about the disposal of old electrical and electronic equipment, please contact your city office, waste disposal service or the shop where you purchased the equipment.

#### Disposal of batteries and/or accumulators

- (a) Waste batteries and/or accumulators should be disposed of separately from the municipal waste stream via collection facilities designated by the government or local authorities.
- (b) By disposing of waste batteries and/or accumulators correctly, you will help save valuable resources and prevent any potential negative effects on human health and the environment.
- (c) Improper disposal of waste batteries and/or accumulators can have serious effects on the environment and human health because of the presence of hazardous substances in them.
- (d) The WEEE symbol, which shows a wheeled bin that has been crossed out, indicates that batteries and/or accumulators must be collected and disposed of separately from household waste.   
**Pb, Hg, Cd**  
If a battery or accumulator contains more than the specified values of lead (Pb), mercury (Hg), and/or cadmium (Cd) as defined in the Battery Directive (2006/66/EC), then the chemical symbols for those elements will be indicated beneath the WEEE symbol.
- (e) Return and collection systems are available to end users. For more detailed information about the disposal of waste batteries and/or accumulators, please contact your city office, waste disposal service or the shop where you purchased them.

**Thank you for choosing TEAC. Read this manual carefully to get the best performance from this unit.**

Before Using the Unit.....	5
Discs.....	6
Identifying the Parts.....	8
Basic Operation.....	10
Troubleshooting.....	11
Specifications.....	11

## Read before operation

- Be careful to avoid injury when moving the unit due to its weight. Get someone to help you if necessary.
- To protect easily scratched furniture, you may apply the felt pads supplied with the unit to the feet.
- As the unit may become warm during operation, always leave sufficient space around the unit for ventilation. The ventilation holes should not be covered. Make sure there is at least 20 cm (8") of space above and at least 5 cm (2") of space on each side of the unit. Do NOT place anything on top of the unit.
- The voltage supplied to the unit should match the voltage that is printed on the rear panel. If you are in any doubt regarding this matter, consult an electrician.
- Choose the installation location of your unit carefully. Avoid placing it in direct sunlight or close to a source of heat. Also avoid locations subject to vibrations and excessive dust, heat, cold or moisture.
- Do not place the unit on an amplifier or any other device that generates heat.
- Do not open the cabinet as this might result in damage to the circuitry or electrical shock. If a foreign object should get into the unit, contact your dealer or service company.
- When removing the power plug from the wall outlet, always pull directly on the plug, never yank the cord.
- Do not attempt to clean the unit with chemical solvents as this might damage the finish. Use a clean, dry cloth.
- Keep this manual in a safe place for future reference.
- When the unit is turned on, if a TV is turned on nearby lines might appear on the TV screen depending on the frequency of the TV broadcast. This is not a malfunction of the unit or the TV. If you see such lines, move the unit and the TV further apart.

## Before Using the Unit (2)

### DO NOT MOVE THE UNIT DURING PLAYBACK

During playback, the disc rotates at high speed. Do NOT lift or move the unit during playback. Doing so may damage the disc or the laser assembly.

### WHEN MOVING THIS UNIT

When relocating or packing the unit for moving, be sure to remove the disc. Moving this unit with the disc loaded may result in damage to this unit.

#### CAUTION

The product should not be exposed to moisture and no object filled with liquids, such as vases, should be placed on the product.

Do not install this equipment in a confined space such as a book case or similar unit.

### Maintenance

If the surface of the unit gets dirty, wipe with a soft cloth or use diluted neutral cleaning liquid. Be sure to remove any fluid completely. Do not use thinner or alcohol as they may damage the surface of the unit.

## Discs

This unit can play the following discs:

#### CDs that bear the "COMPACT disc DIGITAL AUDIO" logo.



- 12cm (4.7") or 8cm (3.15") discs
  - Linear PCM digital audio
- Audio CDs are divided into tracks.

#### Super Audio CDs that bear the "Super Audio CD" logo.



- Single layer, dual layer or hybrid layer
  - 12cm (4.7") discs
  - Digital audio (DSD)
- Super Audio CDs are divided into tracks.

#### CD-R and CD-RW discs that have been correctly recorded in the audio CD format (CD-DA) and finalized.

#### Note

- Depending on the quality of the disc and/or the condition of the recording, some CD-R/CD-RW discs may not be playable.
- Copy-protected discs and other discs which do not conform to the CD standard may not play back correctly in this unit. If you use such discs in this unit, TEAC Corporation and its subsidiaries cannot be responsible for any consequences or guarantee the quality of reproduction. If you have problems with such non-standard discs, you should contact the producers of the disc.
- Always place the disc on the disc tray with the label side up.
- To remove a disc from its storage case, press down on the center of the case and lift the disc out, holding it carefully by the edges.

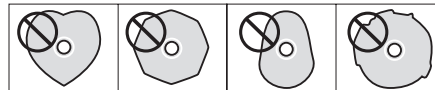


- Should the disc become dirty, wipe the surface radially (from the center hole outward towards the outer edge) with a soft and dry cloth.



- Never use such chemicals as record sprays, antistatic sprays or fluid, alcohol or thinner to clean the discs. Such chemicals will do irreparable damage to the disc's plastic surface.
- Discs should be returned to their cases after use to avoid dust and scratches that could cause the laser pickup to "skip".
- Do not expose discs to direct sunlight or high humidity and temperature for extended periods. Long exposure to high temperatures will warp the disc.
- Do not play any disc that is warped, deformed or damaged. Playing such discs may cause irreparable harm to the playing mechanisms.
- CD-R and CD-RW discs are more sensitive to the effects of heat and ultraviolet rays than commercial CDs. It is important that they are not stored in a location where they are exposed to direct sunlight, and which is away from sources of heat such as radiators or heat-generating electrical devices.
- While printable CD-R and CD-RW discs utilizing modern printing technologies are generally acceptable, older systems that use adhesives to attach paper type labels to the disc surface are not recommended.
- Do not stick papers or protective sheets on the discs and do not use any protective coating spray.
- Use a soft oil-based felt-tipped pen to write the information on the label side. Never use a ball-point or hard-tipped pen, as this may cause damage to the recorded side.
- Never use a stabilizer. Using commercially available CD stabilizers with this unit will damage the mechanisms and cause them to malfunction.

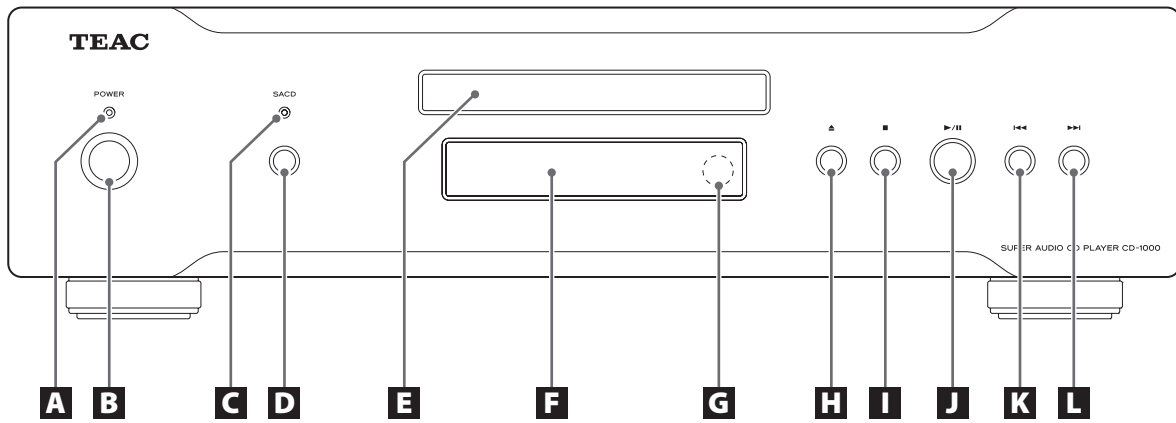
- Do not play irregular shape CDs (octagonal, heart shaped, business card size, etc.). They can damage the unit.



- If you are in any doubt as to the care and handling of a CD-R/ CD-RW disc, read the precautions supplied with the disc, or contact the disc manufacturer directly.

# Identifying the Parts

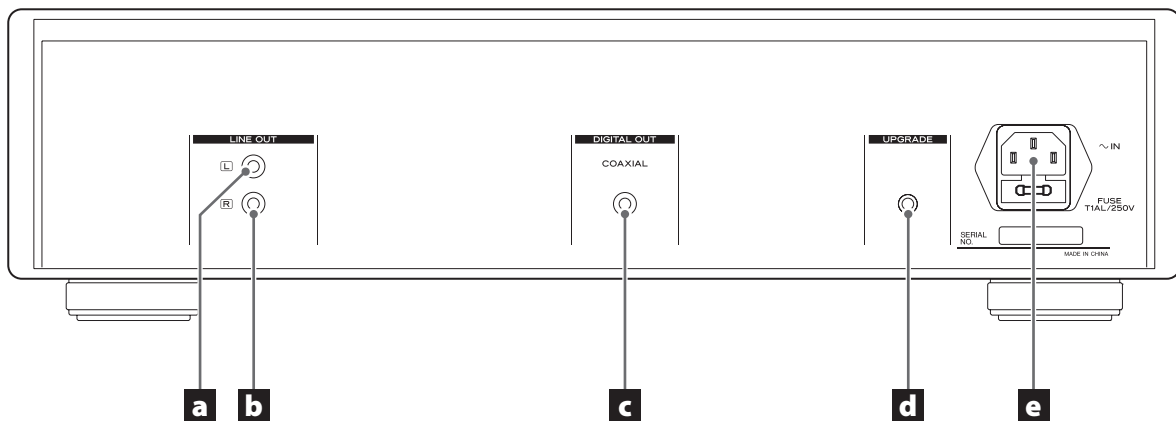
## Front panel



- A** POWER indicator
- B** POWER button
- C** SACD indicator
- D** SACD button
- E** Disc loader
- F** Multifunction display window

- G** Remote control receiver
- H** Open/close button ( $\blacktriangle$ )
- I** Stop button ( $\blacksquare$ )
- J** Play/pause button ( $\blacktriangleright$  /  $\parallel$ )
- K** Previous track button ( $\blacktriangleleft$  /  $\ll$ )
- L** Next track button ( $\blacktriangleright$  /  $\gg$ )

## Rear panel

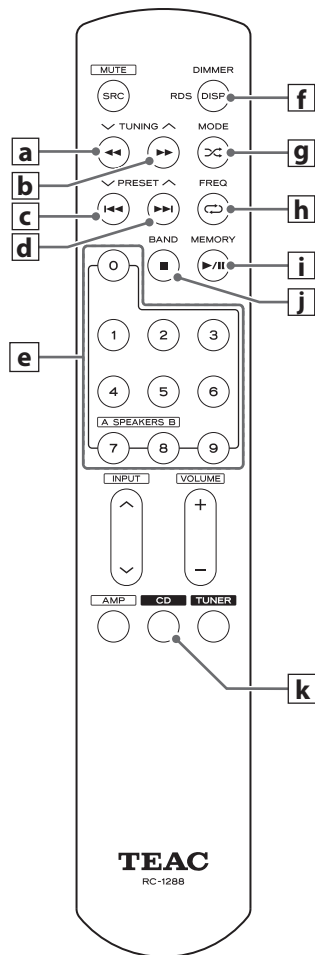


- a** Left analog signal output
- b** Right analog signal output
- c** Digital coaxial signal output

- d** Upgrade port
- e** AC Power inlet (with fuse)



## Remote control



**a** Fast-backward button (◀◀)

**b** Fast-forward button (▶▶)

**c** Previous track button (◀◀)

**d** Next track button (▶▶)

**e** Number buttons (0-9)

**f** Time display button (DISP)

You can also adjust the brightness of characters in the display by holding down this button 2 or 3 seconds.

**g** Random play button (⌘)

**h** Repeat play button (↺)

**i** Play/pause button (▶/⏸)

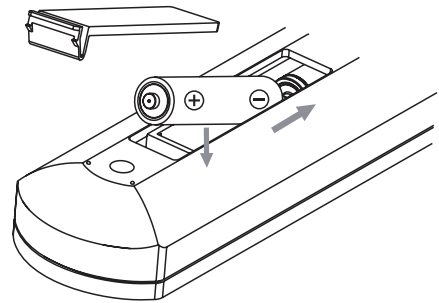
**j** (CD)Stop button (■)

**k** CD button

## Note before using the remote control

- Press the CD button to switch to the CD mode before operating the unit by using the remote control.
- The effective range of the remote control is no greater than 10 m and an angle no greater than 30 degrees.
- Buttons that are not listed or mentioned in the remote control diagram are not used for this unit. It is normal that there will be no response when you press them.

## Battery installation



**1** Open the cover of the remote control unit.

**2** Insert two AAA batteries. Make sure that the batteries are inserted with their positive ⊕ and negative ⊖ poles positioned correctly.

**3** Close the cover.

---

## Power ON / OFF

Connect the power cord and signal cable of the unit. Then, press the POWER button on the front panel to turn the unit on (⏻). The power indicator on the front panel is on and the unit is in normal operating mode now.

To turn the unit off, press the POWER button on the front panel. The button is set to the off position (⏻), and the power indicator and eventually the unit are off. Disconnect the AC power cord from the main outlet when the appliance is not used for a long period of time.

---

## SACD/CD switching

When a dual-layer SACD/CD disc is loaded and recognized by the unit, press the SACD button on the front panel to switch between the SACD or CD layer.

If the SACD layer is currently being played, the SACD indicator on the front panel will light. If the CD layer is being played, the SACD indicator will not light.

---

## Open/close disc tray

Press the open/close button (⏏) on the front panel to open or close the disc tray.

---

## Play/pause

With the disc loaded properly or in stop mode, press the play/pause button (▶/⏸) on the front panel or remote control to play the current disc.

In play mode, press the play/pause button (▶/⏸) on the unit or the remote control to pause the current disc. Press the button again to return to normal play mode.

---

## Previous/next track

Press the previous track button (⏮) on the unit or remote control twice to jump to the beginning of the previous track. Playback starts automatically. If you press the previous track button (⏮) only once, playback of the current track starts again from the beginning.

Press the next track button (⏭) on the unit or the remote control to the jump to the next track and play.

---

## Fast-Backward/Fast-Forward

In normal play mode, press the fast-backward button (⏮) on the remote control for fast-backward. Release the button to return to normal play mode.

In normal play mode, press the fast-forward button (⏭) on the remote control for fast-forward. Release the button to return to normal play mode.

---

## Track selection with number buttons

To select tracks 1 to 9, press the number buttons 1-9 on the remote control directly. To select track 10 or above, press the number buttons 1-9 on the remote control for the first (tenths place) digit of the track number and then the number buttons 1-9 for the second (ones place) digit within two seconds.

---

## Repeat play

If you want to play the current track repeatedly, press the repeat play button (↺) button on the remote control once. The screen will display "T" before the track number. If you want to play the entire disc repeatedly, press the repeat play button (↺) on the remote control again. The screen will display "A" before the track number.

---

## Random play

In stop or play mode, press the random play button (⌘) on the remote control. The screen will display an "R" character, indicating that it is in random play mode.

To cancel this function during random play mode, press the random play button (⌘) or the stop button (■) once.

---

## Display brightness adjustment

Press the time display button (DISP) on the remote control to adjust the brightness of characters in the display based on the brightness of the surrounding environment.

If you hold down the time display button (DISP) for 2 or 3 seconds, the display brightness will toggle through "HIGH, LOW and OFF".

- The unit automatically defaults to "HIGH" brightness at startup.

## Troubleshooting

If you experience any problems with the unit, please take a moment to look through this chart before asking for repairs. If you still have a problem, contact your dealer or TEAC customer service/technical support (stated on the back cover).

### No power

- ➔ Check the connection to the AC outlet. Check and make sure the AC source is not a switched outlet and that, if it is, the switch is turned on. Make sure there is power to the AC outlet by plugging another item such as a lamp or fan into the outlet.

### Remote control doesn't work.

- ➔ Press the POWER button of the main unit to turn it on.
- ➔ If the batteries are dead, change the batteries.
- ➔ Within the specified range of 10 m, point the remote control directly at the unit's front panel.
- ➔ Clear any obstacle between the remote control and the main unit.

### No sound

- ➔ Check the connection to the amplifier.
- ➔ Check the operation of the amplifier.
- ➔ Depending on the disc, etc. it may not be possible to play back CD-R/RW discs. Try again with another disc.
- ➔ You cannot play back unfinalized CD-R/RW discs. Finalize such a disc in a CD recorder and try again.

### Will not play

- ➔ Load a disc with the playback side facing down.
- ➔ If the disc is dirty, clean the surface of the disc.
- ➔ Depending on the disc, etc. it may not be possible to play back CD-R/RW discs. Try again with another disc.
- ➔ You cannot play back unfinalized CD-R/RW discs. Finalize such a disc in a CD recorder and try again.

### Sound skips

- ➔ Place the unit on a stable place to avoid vibration and shock.
- ➔ If the disc is dirty, clean the surface of the disc.
- ➔ Never use scratched, damaged or warped discs.

## Specifications

Frequency response .....	20 Hz - 20 KHz (±0.5 dB)
Dynamic range .....	.98 dB or more (CD) 110 dB or more (SACD)
Signal noise ratio.....	110 dB or more
Total harmonic distortion .....	0.003 % or less
Stereo separation .....	110 dB or more
Analog output level.....	2.30 Vrms
Digital output.....	Coaxial (0.5 Vp-p 75Ω)
Power Requirements.....	AC 230 V, 50 Hz
Power Consumption (nominal).....	10 W
Dimensions (W x H x D) .....	435 x 116 x 366 mm
Weight.....	7.2 kg
Operating temperature .....	+5°C - +35°C
Operating humidity.....	5 % - 85 % (no condensation)
Storage temperature.....	-10°C - +55°C

### Accessories


- Power cord x 1
- Remote control x 1
- AAA battery x 2
- Warranty card x 1
- Owner's manual x 1

- Design and specifications are subject to change without notice.
- Weight and dimensions are approximate.
- Illustrations may differ slightly from production models.


- N'exposez pas cet appareil aux gouttes ni aux éclaboussures.
- Ne placez pas d'objet rempli de liquide sur l'appareil, comme par exemple un vase.
- N'installez pas cet appareil dans un espace confiné comme une bibliothèque ou un meuble similaire.
- L'appareil tire un courant nominal de veille de la prise secteur quand son interrupteur POWER ou STANDBY/ON n'est pas en position ON.
- L'appareil doit être placé suffisamment près de la prise de courant pour que vous puissiez à tout moment atteindre facilement la fiche du cordon d'alimentation
- La fiche secteur est utilisée comme dispositif de déconnexion et doit donc toujours rester disponible.
- Les produits de Classe I sont équipés d'un cordon d'alimentation ayant une fiche de terre. Le cordon de ces produits doit être branché dans une prise de terre.
- Si le produit utilise des batteries (y compris un pack d'accus ou des piles), elles ne doivent pas être exposées au soleil, au feu ou à une chaleur excessive.
- **PRÉCAUTION** pour les produits utilisant des batteries au lithium remplaçables : il existe un danger d'explosion en cas de remplacement par un type de batterie incorrect. Remplacez-les uniquement par des modèles identiques ou équivalents.
- Des précautions doivent être prises pour l'emploi d'écouteurs ou d'un casque avec le produit car une pression acoustique (volume) excessive dans les écouteurs ou dans le casque peut provoquer une perte d'audition.

### Pour les consommateurs européens

#### Mise au rebut des équipements électriques et électroniques

- Tout équipement électrique et électronique doit être traité séparément de la collecte municipale d'ordures ménagères dans des points de collecte désignés par le gouvernement ou les autorités locales.
- En vous débarrassant correctement des équipements électriques et électroniques, vous contribuerez à la sauvegarde de précieuses ressources et à la prévention de potentiels effets négatifs sur la santé humaine et l'environnement.
- Le traitement incorrect des déchets d'équipements électriques et électroniques peut avoir des effets graves sur l'environnement et la santé humaine en raison de la présence de substances dangereuses dans les équipements.
- Le symbole de déchets d'équipements électriques et électroniques (DEEE), qui représente une poubelle à roulettes barrée d'une croix, indique que les équipements électriques et électroniques doivent être collectés et traités séparément des déchets ménagers. 
- Des systèmes de retour et de collecte sont disponibles pour l'utilisateur final. Pour des informations plus détaillées sur la mise au rebut des vieux équipements électriques et électroniques, veuillez contacter votre mairie, le service d'ordures ménagères ou le magasin dans lequel vous avez acquis l'équipement.

#### Mise au rebut des batteries et/ou accumulateurs

- Les batteries et/ou accumulateurs hors d'usage doivent être traités séparément de la collecte municipale d'ordures ménagères dans des points de collecte désignés par le gouvernement ou les autorités locales.
- En vous débarrassant correctement des batteries et/ou accumulateurs hors d'usage, vous contribuerez à la sauvegarde de précieuses ressources et à la prévention de potentiels effets négatifs sur la santé humaine et l'environnement.
- Le traitement incorrect des batteries et/ou accumulateurs hors d'usage peut avoir des effets graves sur l'environnement et la santé humaine car ils contiennent des substances dangereuses.
- Le symbole de déchets d'équipements électriques et électroniques (DEEE), qui représente une poubelle à roulettes barrée d'une croix, indique que les batteries et/ou accumulateurs doivent être collectés et traités séparément **Pb, Hg, Cd** des déchets ménagers.   
Si une batterie ou un accumulateur contient plus que les valeurs spécifiées de plomb (Pb), mercure (Hg) et/ou cadmium (Cd) telles que définies dans la directive sur les batteries (2006/66/EC), alors les symboles chimiques de ces éléments seront indiqués sous le symbole DEEE.
- Des systèmes de retour et de collecte sont disponibles pour l'utilisateur final. Pour des informations plus détaillées sur la mise au rebut des batteries et/ou accumulateurs, veuillez contacter votre mairie, le service d'ordures ménagères ou le magasin dans lequel vous les avez achetés.

**Nous vous remercions d'avoir choisi TEAC. Lisez ce mode d'emploi avec attention pour tirer les meilleures performances de cette unité.**

Avant d'utiliser l'unité.....	13
Disques .....	14
Identification des parties .....	16
Fonctionnement de base.....	18
Guide de dépannage.....	19
Caractéristiques techniques .....	19

### À lire avant utilisation.

- En raison du poids de l'unité, prenez garde à ne pas vous blesser quand vous la déplacez. Faites vous aider si nécessaire.
- Pour protéger les meubles susceptibles d'être rayés, vous pouvez mettre sur les pieds les patins en feutre livrés avec l'unité.
- Il est possible que l'unité chauffe durant l'utilisation, laissez donc toujours un espace suffisant autour d'elle pour la ventilation. Les ouvertures de ventilation ne doivent pas être couvertes. Veillez à ce qu'il y ait un espace d'au moins 20 cm au dessus de l'unité et d'au moins 5 cm de chaque côté. Ne placez RIEN sur l'unité.
- La tension d'alimentation de l'unité doit correspondre à la tension imprimée sur la face arrière. Si vous avez des doutes à ce sujet, consultez un électricien.
- Choisissez soigneusement l'emplacement de votre unité. Évitez de l'exposer directement aux rayons solaires ou à une source de chaleur. Évitez aussi les endroits sujets aux vibrations, à une poussière excessive, à la chaleur, au froid et à l'humidité.
- Ne placez pas l'unité sur un amplificateur ou tout autre appareil générant de la chaleur.
- N'ouvrez pas le boîtier car cela peut endommager le circuit ou causer un choc électrique. Si un objet étranger pénètre dans l'unité, consultez votre revendeur ou le service après-vente.
- Quand vous débranchez le cordon d'alimentation de la prise secteur, tirez toujours la prise, jamais le cordon.
- N'essayez pas de nettoyer l'unité avec des dissolvants chimiques, cela peut endommager la finition. Utilisez un chiffon propre et sec.
- Conservez ce mode d'emploi dans un endroit sûr pour référence ultérieure.
- Quand cette unité est en service, allumer un téléviseur à proximité peut entraîner l'apparition de lignes sur l'écran de celui-ci, en fonction de la fréquence de la télédiffusion. Ce n'est pas un mauvais fonctionnement de l'unité ni du téléviseur. Si vous voyez de telles lignes, éloignez l'unité du téléviseur.

### NE DÉPLACEZ PAS L'UNITÉ DURANT LA LECTURE

Durant la lecture, le disque tourne à haute vitesse. Ne soulevez et ne déplacez PAS l'unité durant la lecture. Cela endommagerait le disque ou le bloc laser.

### SI VOUS DÉPLACEZ CETTE UNITÉ

Quand vous déplacez ou emballez l'unité pour la transporter, veillez à retirer le disque. Transporter cette unité avec un disque à l'intérieur peut endommager l'unité.

#### ATTENTION

N'exposez pas ce produit à l'humidité et n'y posez pas d'objet rempli de liquide, comme par exemple un vase.

N'installez pas cet équipement dans un espace confiné comme une bibliothèque ou un meuble similaire.

### Entretien

Si la surface de l'unité est sale, essuyez-la avec un chiffon doux ou utilisez un savon liquide neutre dilué. Veillez à enlever tout liquide. N'utilisez pas de diluant ni d'alcool car ils peuvent endommager la surface de l'unité.

Cette unité peut lire les disques suivants :

#### CD qui portent le logo "COMPACT disc DIGITAL AUDIO".



- Disques de 12 cm ou 8 cm
  - Audio numérique PCM linéaire
- Les CD audio sont divisés en pistes.

#### Super Audio CD qui portent le logo "Super Audio CD".



- Simple couche, double couche ou hybride
  - Disques de 12 cm
  - Audio numérique (DSD)
- Les Super Audio CD sont divisés en pistes.

#### CD-R et CD-RW correctement enregistrés au format CD audio (CD-DA) et finalisés.

#### Note

- Selon la qualité du disque et/ou les conditions de l'enregistrement, certains CD-R/CD-RW peuvent ne pas être lisibles.
- Les disques protégés contre la copie et les disques ne se conformant pas à la norme CD peuvent ne pas être correctement lus par cette unité. Si vous utilisez de tels disques dans cette unité, TEAC Corporation et ses filiales ne pourront être tenues responsables des conséquences quelles qu'elles soient, ni garantir la qualité de reproduction. Si vous avez des problèmes avec de tels disques non standard, vous devez contacter les producteurs du disque.
- Placez toujours le disque sur le tiroir, face sérigraphiée vers le haut.
- Pour sortir un disque de son boîtier, appuyez sur le centre du boîtier et soulevez le disque, en le tenant soigneusement par la tranche.



- Si un disque est sale, essuyez sa surface d'un mouvement radial (du trou central vers le bord externe) avec un chiffon sec et doux.



- Ne nettoyez jamais les disques avec des produits chimiques tels que des aérosols pour disque, des aérosols ou liquides antistatiques, de l'alcool ou du diluant. Ces produits chimiques provoqueraient des dégâts irréparables à la surface en plastique du disque.

- Les disques doivent être rangés dans leurs boîtiers après utilisation afin d'éviter la poussière et les rayures qui pourraient provoquer des "sauts" du capteur laser.

- N'exposez pas les disques directement au soleil, à une température ou à une humidité élevées de façon prolongée. Une exposition prolongée à des hautes températures fera gondoler le disque.

- Ne faites pas lire de disque gondolé, déformé ou endommagé. Faire lire de tels disques pourrait causer des dommages irréparables aux mécanismes de lecture.

- Les CD-R et CD-RW sont plus sensibles aux effets de la chaleur et des rayons ultraviolets que les CD du commerce. Il est important de ne pas les conserver à un endroit directement exposé au soleil, et de toujours les garder à distance de sources de chaleur telles que des radiateurs ou chauffages électriques.

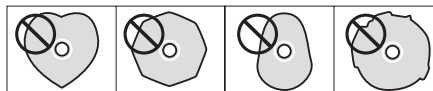
- Si les CD-R et CD-RW imprimables relevant de technologies d'impression modernes sont généralement acceptables, les systèmes plus anciens utilisant des adhésifs pour maintenir des étiquettes en papier sur la surface du disque ne sont pas recommandés.

- Ne collez pas de papiers ou de feuillets protecteurs sur les disques et n'utilisez aucun aérosol de revêtement protecteur.

- Utilisez un stylo-feutre tendre à huile pour écrire du côté sérigraphié. N'utilisez jamais de stylo bille ou de stylo à pointe dure, qui risquerait d'abîmer la surface enregistrée du disque.

- N'utilisez jamais de stabilisateurs. L'utilisation de stabilisateurs pour CD disponibles dans le commerce pourrait endommager les mécanismes de cet appareil et provoquer son dysfonctionnement.

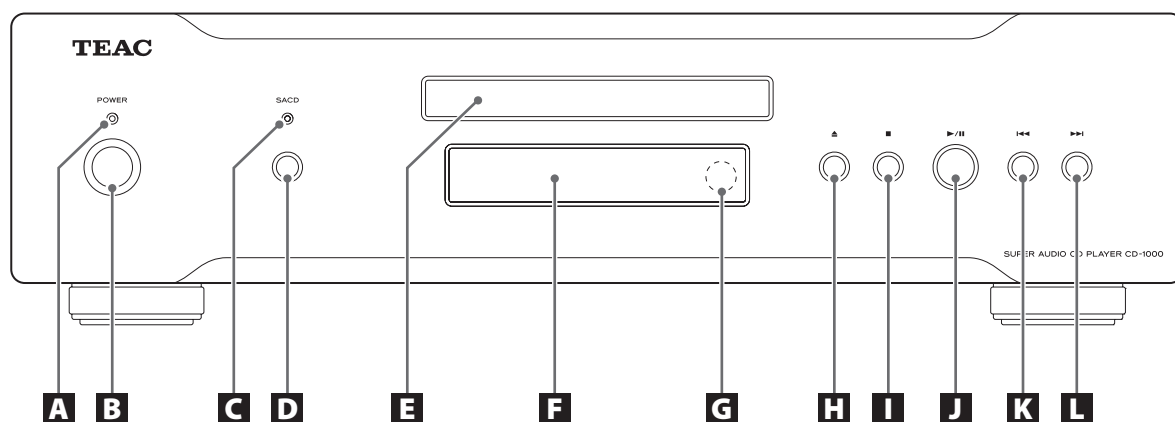
- Ne faites pas lire de disques ayant une forme irrégulière (octogonale, en forme de cœur, de la taille d'une carte de visite, etc.). Ils pourraient endommager l'unité.



- En cas de doute quant à l'entretien et à la manipulation d'un CD-R/CD-RW, lisez les précautions accompagnant le disque ou contactez directement le fabricant du disque.

# Identification des parties

## Face avant



**A** Voyant d'alimentation POWER

**B** Interrupteur d'alimentation POWER

**C** Voyant SACD

**D** Touche SACD

**E** Chargeur de disque

**F** Fenêtre d'affichage multifonction

**G** Récepteur de télécommande

**H** Touche Ouvrir/Fermer (▲)

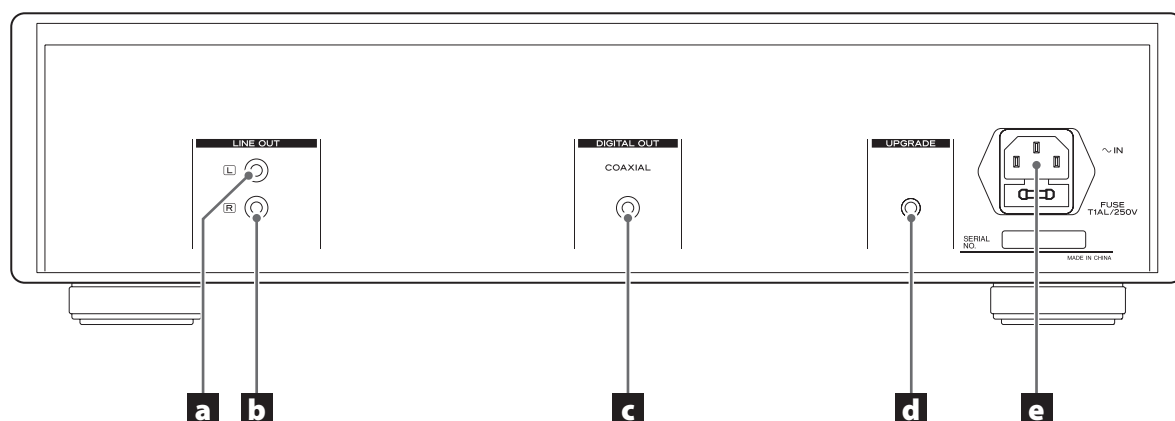
**I** Touche Stop (■)

**J** Touche Lecture/Pause (▶/||)

**K** Touche de piste précédente (◀◀)

**L** Touche de piste suivante (▶▶)

## Face arrière



**a** Sortie de signal analogique gauche

**b** Sortie de signal analogique droit

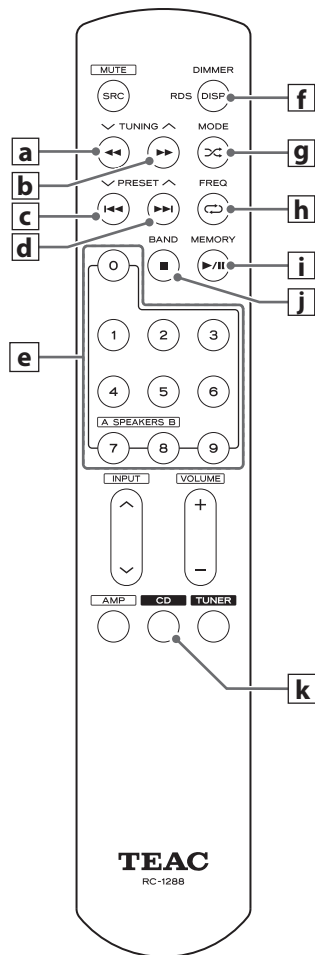
**c** Sortie coaxiale de signal numérique

**d** Port de mise à jour

**e** Embase d'alimentation secteur (avec fusible)



## Télécommande



**a** Touche de retour rapide (◀◀)

**b** Touche d'avance rapide (▶▶)

**c** Touche de piste précédente (◀◀)

**d** Touche de piste suivante (▶▶)

**e** Touches numériques (0-9)

**f** Touche d'affichage temporel (DISP)

Vous pouvez aussi régler la luminosité des caractères affichés en maintenant cette touche enfoncée 2 ou 3 secondes.

**g** Touche de lecture aléatoire (◁▷)

**h** Touche de lecture en boucle (↻)

**i** Touche de lecture/pause (▶/||)

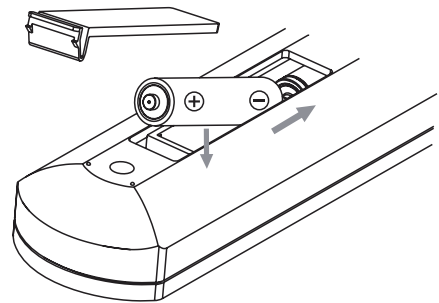
**j** Touche Stop (■)

**k** Touche de CD (CD)

## Note avant utilisation de la télécommande

- Appuyez sur la touche CD pour passer en mode CD avant de piloter l'unité depuis la télécommande.
- La portée de fonctionnement de la télécommande ne dépasse pas 10 m et un angle de 30 degrés.
- Les touches qui ne sont ni listées ni mentionnées dans le schéma de la télécommande ne servent pas pour cette unité. Il est donc normal qu'il n'y ait aucune réponse quand vous appuyez sur celles-ci.

## Mise en place des piles



**1** Ouvrez le compartiment des piles de la télécommande.

**2** Insérez deux piles AAA. Assurez-vous que les piles sont insérées avec les pôles plus ⊕ et moins ⊖ correctement orientés.

**3** Refermez le compartiment.

## Mise sous/hors tension

Branchez le cordon d'alimentation et le câble de signal de l'unité. Ensuite, appuyez sur l'interrupteur d'alimentation POWER de la face avant pour allumer l'unité (⏻). Le voyant d'alimentation de la face avant est allumé et l'unité est maintenant en mode de fonctionnement normal.

Pour éteindre l'unité, appuyez sur l'interrupteur d'alimentation POWER en face avant. L'interrupteur est en position off (⏻), le voyant d'alimentation puis l'unité s'éteignent. Débranchez le cordon d'alimentation de la prise secteur quand l'appareil reste inutilisé durant une longue période.

## Commutation CD/SACD

Quand un disque double couche SACD/CD est chargé et reconnu par l'unité, appuyez sur la touche SACD de la face avant pour alterner entre la couche SACD et la couche CD.

Le voyant SACD est allumé en face avant quand c'est la couche SACD qui est lue. Le voyant SACD n'est pas allumé quand c'est la couche CD qui est lue.

## Ouverture/fermeture du tiroir de disque

Appuyez sur la touche Ouvrir/Fermer (⏻) de la face avant pour ouvrir ou fermer le tiroir de disque.

## Lecture/Pause

Avec le disque bien chargé et en mode d'arrêt, appuyez sur la touche Lecture/Pause (▶/⏸) de la face avant ou de la télécommande pour lire le disque.

En mode de lecture, appuyez sur la touche Lecture/Pause (▶/⏸) de l'unité ou de la télécommande pour mettre en pause le disque chargé. Appuyez à nouveau sur la touche pour revenir en mode normal de lecture.

## Piste précédente/suivante

Appuyez deux fois sur la touche de piste précédente (⏮) de l'unité ou de la télécommande pour sauter au début de la piste précédente. La lecture démarre automatiquement. Si vous n'appuyez qu'une fois sur la touche de piste précédente (⏮), c'est la lecture de la même piste qui reprend depuis le début.

Appuyez sur la touche de piste suivante (⏭) de l'unité ou de la télécommande pour sauter à la piste suivante et la lire.

## Retour rapide/Avance rapide

En mode normal de lecture, appuyez sur la touche de retour rapide (⏮) de la télécommande pour un retour rapide en arrière. Relâchez la touche pour revenir au mode normal de lecture.

En mode normal de lecture, appuyez sur la touche d'avance rapide (⏭) de la télécommande pour une avance rapide. Relâchez la touche pour revenir au mode normal de lecture.

## Sélection de piste avec les touches numériques

Pour sélectionner les pistes 1 à 9, appuyez directement sur les touches numériques 1-9 de la télécommande. Afin de sélectionner la piste 10 ou une piste supérieure, appuyez sur les touches numériques 1-9 de la télécommande pour choisir le chiffre des dizaines puis dans les deux secondes suivantes sur ces mêmes touches pour choisir le chiffre des unités.

## Lecture en boucle

Si vous souhaitez lire en boucle la piste actuelle, appuyez une fois sur la touche de lecture en boucle (↺) de la télécommande. L'écran affichera "T" avant le numéro de piste. Si vous souhaitez lire en boucle la totalité du disque, appuyez à nouveau sur la touche de lecture en boucle (↺) de la télécommande. L'écran affichera "A" avant le numéro de piste.

## Lecture aléatoire

En mode d'arrêt ou de lecture, appuyez sur la touche de lecture aléatoire (⏮) de la télécommande. L'écran affichera la lettre "R", indiquant que l'appareil est en mode de lecture aléatoire.

Pour annuler cette fonction en mode de lecture aléatoire, appuyez une fois sur la touche de lecture aléatoire (⏮) ou sur la touche Stop (■).

## Réglage de luminosité de l'afficheur

Appuyez sur la touche d'affichage temporel (DISP) de la télécommande pour régler la luminosité des caractères affichés en fonction de la luminosité ambiante.

Si vous maintenez la touche d'affichage temporel (DISP) pressée durant 2 ou 3 secondes, la luminosité de l'afficheur alterne entre "HIGH" (haute), "LOW" (basse) et "OFF".

- Par défaut, l'unité revient automatiquement sur "HIGH" au démarrage.

## Guide de dépannage

Si vous rencontrez des problèmes avec l'unité, veuillez prendre un moment pour parcourir ce tableau avant de solliciter une réparation. Si le problème persiste, contactez votre revendeur ou le service clientèle/technique de TEAC (coordonnées au dos de la couverture).

### Pas d'alimentation.

- ➔ Vérifiez le branchement à la prise secteur. Vérifiez et assurez-vous que la source d'alimentation n'est pas une prise commutée et, si c'est le cas, qu'elle est en service. Vérifiez que la prise délivre bien du courant en y branchant un autre appareil tel qu'une lampe ou un ventilateur.

### La télécommande ne fonctionne pas.

- ➔ Appuyez sur la touche POWER de l'appareil pour l'allumer.
- ➔ Si les piles sont épuisées, changez-les.
- ➔ Dans les limites de la portée de 10 m, pointez la télécommande directement vers la face avant de l'unité.
- ➔ Retirez tout obstacle entre la télécommande et l'unité.

### Pas de son

- ➔ Vérifiez le branchement à l'amplificateur.
- ➔ Vérifiez le fonctionnement de l'amplificateur.
- ➔ Selon le disque, etc. la lecture de certains CD-R/RW peut ne pas être possible. Réessayez avec un autre disque.
- ➔ Vous ne pouvez pas lire les CD-R/RW non finalisés. Finalisez un tel disque dans un enregistreur de CD et réessayez.

### Pas de lecture

- ➔ Chargez un disque avec sa face de lecture vers le bas.
- ➔ Si le disque est sale, nettoyez sa surface.
- ➔ Selon le disque, etc. la lecture de certains CD-R/RW peut ne pas être possible. Réessayez avec un autre disque.
- ➔ Vous ne pouvez pas lire les CD-R/RW non finalisés. Finalisez un tel disque dans un enregistreur de CD et réessayez.

### Le son saute

- ➔ Placez l'unité sur une surface stable pour éviter les vibrations et les chocs.
- ➔ Si le disque est sale, nettoyez sa surface.
- ➔ N'utilisez jamais de disques rayés, endommagés ou gondolés.

## Caractéristiques techniques

Réponse en fréquence	20 Hz - 20 kHz ( $\pm 0,5$ dB)
Plage dynamique	98 dB ou plus (CD) 110 dB ou plus (SACD)
Rapport signal/bruit	110 dB ou plus
Distorsion harmonique totale	0,003 % ou moins
Séparation stéréo	110 dB ou plus
Niveau de sortie analogique	2,30 Vrms
Sortie numérique	coaxiale (0,5 Vc-c, 75 $\Omega$ )
Alimentation électrique	CA 230 V, 50 Hz
Consommation électrique (nominale)	10 W
Dimensions (L x H x P)	435 x 116 x 366 mm
Poids	7,2 kg
Température de fonctionnement	+5°C - +35°C
Hygrométrie de fonctionnement	5 % - 85 % (sans condensation)
Température de fonctionnement	-10°C - +55°C

### Accessoires


- Cordon d'alimentation x 1
- Télécommande x 1
- Pile AAA x 2
- Carte de garantie x 1
- Mode d'emploi x 1

- Conception et caractéristiques techniques sont sujettes à changements sans préavis.
- Le poids et les dimensions sont des valeurs approchées.
- Les illustrations peuvent légèrement différer des modèles de production.


- No exponga este aparato a salpicaduras ni goteras.
- No coloque objetos que contengan líquidos, como por ejemplo vasos, sobre el aparato.
- No instale este aparato en lugares cerrados tales como estanterías o similares.
- Este aparato libera corriente nominal no válida para el funcionamiento a través de la toma de corriente, aún cuando el interruptor de encendido y activación (POWER o STANDBY/ON) no esté en la posición de encendido (ON).
- Este aparato debe situarse lo suficientemente cerca de una toma de electricidad como para poder alcanzar fácilmente el cable de corriente en cualquier momento.
- El enchufe que se conecta a la red es el dispositivo de desconexión, por lo que deberá permanecer siempre en perfecto estado de uso.
- Los productos con construcción de Clase I están equipados con un cable de alimentación que tiene una clavija de enchufe con protección de tierra (3 puntas) . El cable de estos productos deberá conectarse a una toma de corriente que tenga conexión de protección de tierra.
- Si el producto utiliza pilas (esto incluye las pilas instaladas y los "packs" de pilas), se evitará su exposición directa al sol, al fuego o a cualquier otra fuente de calor excesivo.
- PRECAUCIÓN con los productos que emplean baterías de litio reemplazables: existe peligro de explosión si la batería se reemplaza por otra de tipo incorrecto. Reemplácela sólo por otra igual o de tipo equivalente.
- Deberá llevar cuidado si utiliza auriculares con este producto, ya que una excesiva presión sonora (volumen) procedente de los mismos puede causar pérdidas de audición.

## Para consumidores europeos

### Deshacerse de aparatos eléctricos y electrónicos

- Todos los aparatos eléctricos y electrónicos deben ser eliminados separados del resto de basura común y únicamente en los "puntos limpios" o bajo los procedimientos especificados por el gobierno o autoridades municipales locales.
- Con la eliminación correcta de los equipos eléctricos y electrónicos estará ayudando a conservar recursos muy valiosos y a evitar los posibles efectos negativos en la salud humana y en el medio ambiente.
- La eliminación incorrecta de los equipos eléctricos y electrónicos puede producir efectos muy dañinos en el medio ambiente y en la salud humana a causa de las sustancias peligrosas que pueden encontrarse en estos equipos.
- El símbolo de Eliminación de Aparatos Eléctricos y Electrónicos (WEEE en inglés), identificado por un cubo de basura con ruedas tachado, indica que los equipos eléctricos y electrónicos deben ser eliminados de forma totalmente independiente con respecto a la basura doméstica. 
- Existen sistemas para la eliminación y recogida de este tipo de aparatos a disposición del usuario final. Si necesita más información acerca de la forma de deshacerse de aparatos eléctricos y electrónicos antiguos, póngase en contacto con su Ayuntamiento, con la correspondiente empresa del servicio de recogida de residuos o con el comercio en el que adquirió ese aparato.

### Deshacerse de pilas y/o acumuladores

- Las pilas y/o acumuladores gastados deben ser eliminados separados del resto de basura común y únicamente en los "puntos de recogida" o bajo los procedimientos especificados por el gobierno o autoridades municipales locales.
- Con la eliminación correcta de las pilas y/o acumuladores gastados estará ayudando a conservar recursos muy valiosos y a evitar los posibles efectos negativos en la salud humana y en el medio ambiente.
- La eliminación incorrecta de las pilas y/o acumuladores gastados puede producir efectos muy dañinos en el medio ambiente y en la salud humana con motivo de las sustancias peligrosas que pueden encontrarse en estos equipos.
- El símbolo WEEE, identificado por un cubo de basura con ruedas tachado, indica que las pilas y/o acumuladores gastados deben ser eliminados de forma totalmente independiente con respecto a la basura doméstica.  **Pb, Hg, Cd**  
Si una pila o un acumulador contienen más cantidad de los valores especificados de plomo (Pb), mercurio (Hg), y/o cadmio (Cd) según está definido en la Directiva relativa a las pilas (2006/66/EC), entonces los símbolos químicos correspondientes a estos elementos estarán indicados debajo del símbolo WEEE.
- Existen sistemas para la eliminación y recogida a disposición del usuario final. Si necesita más información acerca de la forma de eliminar pilas y/o acumuladores gastados, póngase en contacto con su Ayuntamiento, con la correspondiente empresa del servicio de recogida de residuos o con el comercio donde se adquirieron.

**Gracias por elegir TEAC. Lea este manual con atención para obtener el mejor rendimiento de esta unidad.**

Antes de usar la unidad.....	21
Discos.....	22
Identificación de las partes.....	24
Funcionamiento básico.....	26
Solución de posibles fallos.....	27
Especificaciones.....	27

## Lea esto antes de llevar a cabo ninguna operación

- Lleve cuidado para evitar lesiones cuando mueva la unidad, debido a su peso. Solicite la ayuda de otra persona si es necesario.
- Para evitar que los muebles se rayen con facilidad, puede pegar en las patas los protectores de fieltro suministrados con la unidad.
- Como la unidad puede calentarse durante el funcionamiento, deje siempre suficiente espacio a su alrededor para la ventilación. Los agujeros de ventilación no deben taparse. Asegúrese de que hay al menos un espacio de 20 cm por encima y al menos 5 cm a cada lado. NO ponga nada encima de la unidad.
- El voltaje suministrado a la unidad deberá coincidir con el voltaje que está impreso en el panel posterior. Si tiene dudas al respecto, consulte a un electricista.
- Elija con cuidado el emplazamiento para la instalación de la unidad. Evite colocarla donde le dé la luz solar directa o cerca de una fuente de calor. Evite también lugares sujetos a vibraciones y a polvo, calor, frío o humedad excesivos.
- No sitúe la unidad sobre un amplificador o cualquier otro dispositivo que genere calor.
- No abra la carcasa porque podría causar daños en los circuitos o una descarga eléctrica. En caso de que se introduzca un objeto extraño en la unidad, contacte con su distribuidor o con un servicio técnico autorizado.
- Cuando desenchufe el cable de corriente de una toma de electricidad, tire siempre directamente del conector, nunca del cable.
- No intente limpiar la unidad con disolventes químicos ya que podrían dañar el acabado. Utilice un paño limpio y seco.
- Conserve este manual en un lugar seguro para futuras consultas.
- Cuando la unidad está encendida, al encender una televisión cercana pueden aparecer líneas en la pantalla de la televisión, dependiendo de la frecuencia de la emisión de televisión. Esto no significa un mal funcionamiento de la unidad ni de la televisión. Si se ven tales líneas, aleje lo más posible esta unidad del aparato de televisión.

### NO MUEVA LA UNIDAD DURANTE LA REPRODUCCIÓN

Durante la reproducción, el disco gira a gran velocidad. NO levante ni mueva la unidad durante la reproducción. Si lo hace puede dañar el disco o el mecanismo del láser.

### CUANDO MUEVA ESTA UNIDAD

Cuando cambie de sitio o embale esta unidad para moverla, asegúrese de quitar el disco. Mover esta unidad con el disco cargado puede originar daños a la unidad.

#### PRECAUCIÓN

Este producto no debe ser expuesto a humedad ni se deben colocar sobre él ningún objeto que contenga líquidos, como por ejemplo jarrones.

No instale este equipo en un lugar cerrado como una librería o similar.

### Mantenimiento

Si la superficie de la unidad se ensucia, límpiela con un paño suave o utilice un producto de limpieza líquido y neutro diluido. Asegúrese de secar completamente cualquier resto de fluido. No utilice disolvente ni alcohol ya que pueden dañar la superficie de la unidad.

Esta unidad puede reproducir los siguientes discos:

**CDs que lleven el logo "COMPACT disc DIGITAL AUDIO" en la etiqueta.**



- Discos de 12cm (4.7") u 8cm (3.15")
  - Audio digital PCM lineal
- Los CDs de audio están divididos en pistas.

**Super Audio CDs que lleven el logo "Super Audio CD".**



- De capa única, de doble capa o híbridos
  - Discos de 12cm (4.7")
  - Audio digital (DSD)
- Los Super Audio CDs están divididos en pistas.

**Discos CD-R y CD-RW que hayan sido correctamente grabados y finalizados en el formato de CD de audio (CD-DA).**

#### Nota

- Dependiendo de la calidad del disco y/o de las condiciones de la grabación, algunos discos CD-R/CD-RW pueden no ser reproducibles.
- Los discos protegidos contra copia, y otros discos que no cumplan los estándares de los CDs pueden no reproducirse correctamente en este reproductor. Si utiliza dichos discos en esta unidad, TEAC Corporation y sus subsidiarias no se responsabilizarán de las consecuencias ni garantizan la calidad de reproducción. Si experimenta problemas con tales discos no estandarizados, deberá ponerse en contacto con el fabricante del disco.
- Coloque siempre el disco con el lado de la etiqueta hacia arriba.
- Para sacar un disco de su caja, presione hacia abajo en el centro de la caja y levante el disco tirando hacia afuera, sujetándolo con cuidado por los bordes.

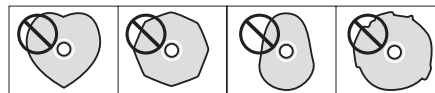


- Si el disco se ensucia, limpie la superficie radialmente (desde el agujero central hacia los bordes) con un paño suave y seco.



- Nunca limpie los discos usando sustancias químicas como sprays para vinilos, fluidos o sprays antiestáticos, alcohol o disolvente. Tales sustancias químicas dañarán sin remedio la superficie plástica del disco.
- Los discos deben guardarse en su caja después de usarlos, para evitar polvo y arañazos que pueden provocar que el lector láser "salte"..
- No exponga los discos directamente a la luz del sol, ni a altas temperaturas ni a humedad durante mucho tiempo. La exposición durante tiempo prolongado a altas temperaturas deformará los discos.
- No reproduzca ningún disco arqueado, deformado o dañado. Reproducir tales discos puede causar daños irreparables a los mecanismos de reproducción.
- Los discos CD-R y CD-RW son más sensibles a los efectos del calor y de los rayos ultravioleta que los CDs comerciales. Es importante que no se guarden en ningún sitio donde les pueda dar directamente la luz solar. También deben estar alejados de fuentes de calor como radiadores o aparatos eléctricos que generen calor.
- Mientras que los discos CD-R y CD-RW imprimibles que utilizan tecnologías de impresión modernas son generalmente válidos, los sistemas antiguos que usan adhesivos para adherir etiquetas de papel o similar a la superficie del disco no son recomendables.
- No pegue papeles ni hojas protectoras en los discos ni utilice sprays con recubrimientos protectores.
- Utilice un rotulador indeleble de punta blanda para escribir información sobre la cara de la etiqueta. Nunca utilice un bolígrafo o rotulador de punta dura, ya que podrían causar daños a la cara grabada.
- Nunca utilice un estabilizador. El uso con esta unidad de estabilizadores de CD de los que se venden en establecimientos comerciales dañará los mecanismos y provocará anomalías de funcionamiento.

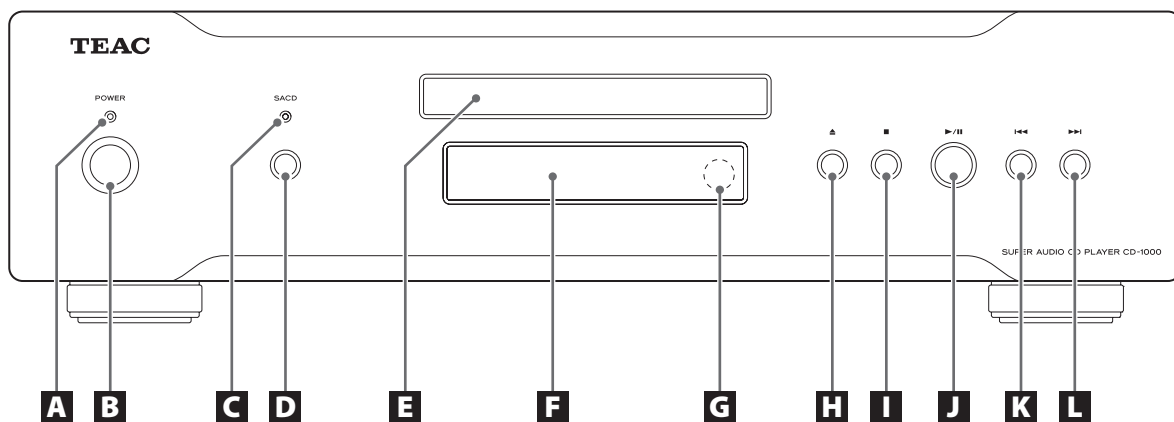
- No reproduzca discos de formas irregulares (octagonales, con forma de corazón, del tamaño de una tarjeta de visita, etc.). Podrían dañar la unidad.



- Si tiene dudas sobre el cuidado o manejo de un disco CD-R o CD-RW, consulte las precauciones suministradas con el disco o contacte directamente con el fabricante del mismo.

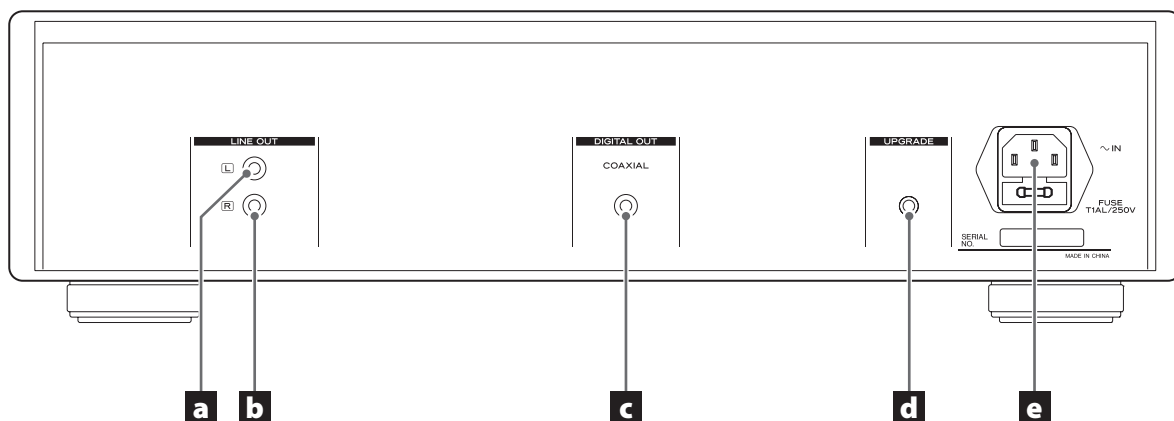
# Identificación de las partes

## Panel frontal



- A** Indicador de encendido POWER
- B** Botón de encendido/apagado POWER
- C** Indicador de SACD (Super Audio CD)
- D** Botón de SACD (Super Audio CD)
- E** Cargador de disco
- F** Visor de la pantalla multifunción
- G** Receptor de la señal del mando a distancia
- H** Botón de apertura/cierre (▲)
- I** Botón de parada (■)
- J** Botón de reproducción/ pausa (▶/||)
- K** Botón de pista anterior (◀◀)
- L** Botón de pista siguiente (▶▶)

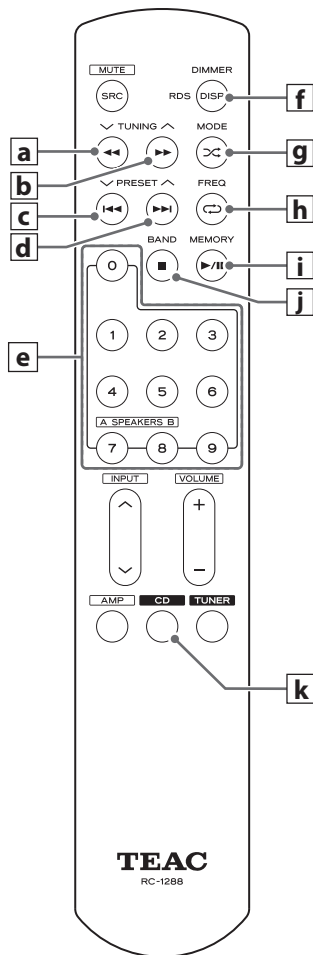
## Panel posterior



- a** Salida de señal analógica izquierda
- b** Salida de señal analógica derecha
- c** Salida de señal coaxial digital
- d** Puerto de actualización
- e** Conector de entrada de corriente (con fusible)



## Mando a distancia



**a** Botón de retroceso rápido (◀◀)

**b** Botón de avance rápido (▶▶)

**c** Botón de pista anterior (◀◀)

**d** Botón de pista siguiente (▶▶)

**e** Botones numéricos (0-9)

**f** Botón de tiempo en pantalla (DISP)

También puede ajustar el brillo de los caracteres de la pantalla manteniendo pulsado este botón 2 o 3 segundos.

**g** Botón de reproducción aleatoria (⌘)

**h** Botón de reproducción repetida (↺)

**i** Botón de reproducción/pausa (▶/||)

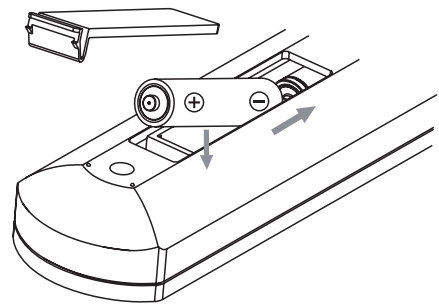
**j** Botón de parada (■)

**k** Botón de CD

## Nota antes de utilizar al mando a distancia

- Pulse el botón CD y entre en el modo de CD antes de operar con el mando a distancia.
- El rango de alcance efectivo del mando a distancia no es mayor de 10 metros y su ángulo de efectividad no es mayor de 30 grados.
- Los botones del mando a distancia sin asignación de funciones no se utilizan para esta unidad. Es normal que no haya respuesta cuando los pulse.

## Instalación de las pilas



**1** Abra la tapa del mando a distancia.

**2** Inserte dos pilas AAA. Asegúrese de que las pilas se insertan con sus polos positivo ⊕ y negativo ⊖ correctamente posicionados.

**3** Cierre la tapa.

## Encendido/Apagado

Conecte el cable de corriente y el cable de señal de la unidad. A continuación pulse el botón interruptor de encendido/apagado para encender la unidad (⏻). El indicador de encendido se iluminará en el panel frontal y la unidad está ahora en su modo de funcionamiento normal.

Para apagar la unidad, pulse el botón de encendido/apagado en el panel frontal. El botón quedará en la posición de apagado (⏻) y el indicador de encendido y la unidad se apagarán. Desconecte el cable de corriente de la toma de electricidad si la unidad no se va a utilizar durante un largo período de tiempo.

## Selector SACD/CD

Cuando se cargue un disco de doble capa SACD/CD y sea reconocido por la unidad, pulse el botón SACD del panel frontal para seleccionar alternativamente la capa de SACD (Super Audio CD) o de CD.

Si la capa SACD es la que se está reproduciendo en ese momento, se iluminará el indicador SACD del panel frontal. Si es la capa de CD la que se está reproduciendo, el indicador SACD no se iluminará.

## Abrir/cerrar la bandeja de disco

Pulse el botón de apertura/cierre (⏏) del panel frontal para abrir o cerrar la bandeja de disco.

## Reproducción/pausa

Cuando el disco se haya cargado correctamente o desde el modo de parada, pulse el botón de reproducción/pausa (▶/⏸) en el panel frontal o en el mando a distancia para reproducir el disco en curso.

En el modo de reproducción, pulse el botón de reproducción/pausa (▶/⏸) en la unidad o en el mando a distancia para poner en pausa el disco en curso. Vuelva a pulsar el botón otra vez para regresar al modo de reproducción normal.

## Pista anterior/siguiente

Pulse dos veces el botón de pista anterior (⏮) en la unidad o en el mando a distancia para saltar al principio de la pista anterior. La reproducción comenzará automáticamente. Si pulsa el botón de pista anterior (⏮) solamente una vez, la reproducción de la pista en curso comenzará otra vez desde el principio.

Pulse el botón de pista siguiente (⏭) en la unidad o en el mando a distancia para saltar a la pista siguiente y reproducirla.

## Retroceso rápido/avance rápido

En modo de reproducción normal, pulse el botón de retroceso rápido (⏮) en el mando a distancia para retroceder rápidamente. Suelte el botón para regresar al modo de reproducción normal.

En modo de reproducción normal, pulse el botón de avance rápido (⏭) en el mando a distancia para avanzar rápidamente. Suelte el botón para regresar al modo de reproducción normal.

## Selección de pistas con los botones numéricos

Para seleccionar pistas de la 1 a la 9, pulse los botones numéricos 1-9 en el mando a distancia directamente. Para seleccionar la pista 10 o superiores, pulse en el mando a distancia los botones numéricos 1-9 para el primer dígito (posición de la decena) del número de la pista y a continuación los botones numéricos 1-9 para el segundo dígito (posición de la unidad) en el espacio máximo de dos segundos..

## Reproducción Repetida

Si quiere reproducir repetidamente la pista actual, pulse el botón de reproducción repetida (🔁) en el mando a distancia una vez. En la pantalla aparecerá "T" delante del número de pista. Si quiere reproducir repetidamente el disco entero, vuelva a pulsar otra vez el botón de reproducción repetida (🔁) en el mando a distancia. En la pantalla aparecerá "A" delante del número de pista.

## Reproducción aleatoria

En modo de parada o de reproducción, pulse el botón de reproducción aleatoria (🎲) en el mando a distancia. En la pantalla aparecerá la letra "R", indicando que estamos en el modo de reproducción aleatoria.

Para cancelar esta función durante el modo de reproducción aleatoria, pulse el botón de reproducción aleatoria (🎲) o el botón de parada (■) una vez.

## Ajuste del brillo de la pantalla

Pulse el botón de tiempo en pantalla (DISP) en el mando a distancia para ajustar el brillo de los caracteres de la pantalla en base a la luz ambiental que haya en el entorno.

Si mantiene pulsado el botón de tiempo en pantalla (DISP) durante 2 o 3 segundos, el brillo de la pantalla cambiará secuencialmente entre "HIGH" (alto), "LOW" (bajo) u "OFF" (desactivado).

- La pantalla se pone por defecto automáticamente en brillo alto (HIGH) al encenderse la unidad.

## Solución de posibles fallos

Si experimenta algún problema con la unidad, por favor tómese unos momentos para mirar la información que viene a continuación antes de solicitar una reparación. Si el problema persiste, póngase en contacto con su distribuidor o con el servicio técnico/de atención al cliente de TEAC (los encontrará en la contraportada).

### No hay corriente

- ➔ Compruebe la conexión a la toma de electricidad. Compruebe y asegúrese de que la toma de electricidad no es una toma con interruptor y que, si lo es, el interruptor está activado. Asegúrese de que llega corriente a la toma de electricidad enchufando en ella otro aparato como por ejemplo una lámpara o un ventilador.

### El mando a distancia no funciona.

- ➔ Pulse el interruptor de encendido/apagado (POWER) de la unidad principal para encenderla.
- ➔ Si las pilas están gastadas, cámbielas.
- ➔ Dentro del rango especificado de 10 m, apunte con el mando a distancia directamente hacia el panel frontal de la unidad.
- ➔ Quite cualquier obstáculo que haya entre el mando a distancia y la unidad principal.

### No hay sonido

- ➔ Compruebe la conexión al amplificador.
- ➔ Compruebe el funcionamiento del amplificador.
- ➔ Dependiendo del disco, etc., podría no ser posible reproducir determinados discos CD-R/RW. Inténtelo de nuevo con otro disco.
- ➔ No se pueden reproducir discos CD-R/RW sin finalizar. Finalice el disco en una grabadora de CD y vuelva a intentarlo.

### No hay reproducción

- ➔ Cargue un disco con la cara de reproducción hacia abajo.
- ➔ Si el disco está sucio, limpie su superficie.
- ➔ Dependiendo del disco, etc., podría no ser posible reproducir determinados discos CD-R/RW. Inténtelo de nuevo con otro disco.
- ➔ No se pueden reproducir discos CD-R/RW sin finalizar. Finalice el disco en una grabadora de CD y vuelva a intentarlo.

### El sonido salta

- ➔ Coloque la unidad en un lugar estable para evitar golpes y vibraciones.
- ➔ Si el disco está sucio, limpie su superficie.
- ➔ Nunca utilice discos rayados, deteriorados o deformados.

## Especificaciones

Respuesta de frecuencias .....	20 Hz - 20 KHz ( $\pm 0.5$ dB)
Rango dinámico .....	98 dB o más (CD) 110 dB o más (SACD)
Relación señal/ruido .....	110 dB o más
Distorsión armónica total .....	0.003 % o menor
Separación estéreo .....	110 dB o más
Nivel de salida analógico .....	2.30 Vrms
Salida digital .....	Coaxial (0.5Vp-p 75 $\Omega$ )
Requerimientos de alimentación .....	CA 230 V, 50 Hz
Consumo de corriente (nominal) .....	10 W
Dimensiones (ancho x alto x profundo) .....	435 x 116 x 366 mm
Peso .....	7.2 kg
Temperatura de funcionamiento .....	+5°C - +35°C
Humedad de funcionamiento .....	5 % - 85 % (sin condensación)
Temperatura de almacenamiento .....	-10°C - +55°C

### Accesorios



Cable de corriente x 1  
Mando a distancia x 1  
Pilas AAA x 2  
Tarjeta de garantía x 1  
Manual de usuario x 1

- El diseño y las especificaciones están sujetos a cambios sin previo aviso.
- El peso y las dimensiones son aproximados.
- Las ilustraciones pueden diferir ligeramente de los modelos de producción.

- Setzen Sie den CD-1000 nicht Tropf- oder Spritzwasser aus.
- Stellen Sie keine Vasen oder andere mit Flüssigkeiten gefüllte Gefäße auf den CD-Player.
- Installieren Sie den CD-1000 nicht in geschlossenen Regalsystemen oder ähnlichen Möbelstücken.
- Der CD-Player bezieht auch dann einen geringen Ruhestrom aus dem Netz, wenn sich der POWER- oder STANDBY/ON-Schalter nicht in der ON-Position befindet.
- Der Betriebsort des CD-1000 sollte in der Nähe der Wandsteckdose sein, so dass Sie jederzeit den Netzstecker erreichen.
- Der Netzstecker dient als Verbindungs-/Trennglied zur Spannungsversorgung. Achten Sie darauf, dass er stets in einwandfreiem Zustand ist.
- Der Netzstecker von „Class I“-Produkten besitzt einen Schutzkontakt. Achten Sie darauf, dass die Wandsteckdose, an der Sie den CD-1000 anschließen, geerdet ist (Schutzkontaktsteckdose).
- Falls in diesem Produkt Batterien (inklusive Akkupack oder austauschbaren Trockenbatterien) verwendet werden, dürfen diese nicht direkter Sonne, Feuer oder großer Hitze ausgesetzt sein.
- ACHTUNG bei Verwendung von Lithium-Batterien: bei inkorrekt vorgenommenem Batteriewechsel besteht Explosionsgefahr. Ersetzen Sie verbrauchte Batterien ausschließlich durch frische des gleichen oder gleichwertigen Typs.
- Achten Sie bei der Verwendung von Kopfhörern auf Ihr Gehör. Zu hoher Schalldruck von Ohr- oder Kopfhörern kann Hörschäden oder Gehörverlust verursachen.

## Für Kunden in Europa

### Entsorgung von elektrischen Altgeräten und Batterien

- (a) Wenn das Symbol einer durchgestrichenen Abfalltonne auf einem Produkt, der Verpackung und/oder der begleitenden Dokumentation angebracht ist, unterliegt dieses Produkt den europäischen Richtlinien 2002/96/EC und/oder 2006/66/EC sowie nationalen Gesetzen zur Umsetzung dieser Richtlinien. 
- (b) Diese Richtlinien und Gesetze schreiben vor, dass Elektro- und Elektronik-Altgeräte sowie Batterien und Akkus nicht in den Hausmüll (Restmüll) gelangen dürfen. Um die fachgerechte Entsorgung, Aufbereitung und Wiederverwertung sicherzustellen, sind Sie verpflichtet, Altgeräte und entladene Batterien/Akkus über staatlich dafür vorgesehene Stellen zu entsorgen.
- (c) Durch die ordnungsgemäße Entsorgung solcher Geräte, Batterien und Akkus leisten Sie einen Beitrag zur Einsparung wertvoller Rohstoffe und verhindern potenziell schädliche Auswirkungen auf die Gesundheit der Allgemeinheit und die Umwelt, die durch falsche Abfallentsorgung entstehen können. Die Entsorgung ist für Sie kostenlos.
- (d) Falls der Gehalt an Blei (Pb), Quecksilber (Hg) und/oder Cadmium (Cd) in Batterien/Akkus die in der Richtlinie zur Batterieentsorgung (2006/66/EC) angegebenen, zulässigen Höchstwerte übersteigen, wird die Bezeichnung des entsprechenden chemischen Elements oder der Elemente unterhalb der durchgestrichenen Abfalltonne angegeben.  **Pb, Hg, Cd**
- (e) Weitere Informationen zur Wertstoffsammlung und Wiederverwertung von Altgeräten, Batterien und Akkus erhalten Sie bei Ihrer Stadtverwaltung, dem für Sie zuständigen Abfallentsorgungsunternehmen oder der Verkaufsstelle, bei der Sie das Produkt erworben haben.

**Danke, dass Sie sich für dieses TEAC-Produkt entschieden haben. Lesen Sie diese Bedienungsanleitung bitte aufmerksam durch, um die Leistung des CD-1000 in vollem Umfang nutzen zu können.**

Vor der ersten Inbetriebnahme .....	29
Discs .....	30
Bedienelemente und Anschlüsse .....	32
Grundlegende Bedienung .....	34
Hilfe bei Funktionsstörungen .....	35
Technische Daten .....	35

## Lesen und beachten Sie folgende Hinweise

- Aufgrund des Gewichts besteht beim Heben oder Tragen des CD-1000 Verletzungsgefahr. Falls erforderlich, bitten Sie Jemand um Hilfe.
- Um Kratzer auf empfindlichen Möbeln zu vermeiden, können die mitgelieferten Filzpolster unter den Standfüßen angebracht werden.
- Achten Sie auf ausreichenden Belüftungsabstand, da sich der CD-1000 während des Betriebs erwärmen kann. Verdecken Sie niemals die Belüftungsöffnungen. Achten Sie darauf, dass oberhalb stets mindestens 20 cm und seitlich mindestens 5 cm Belüftungsabstand verbleiben. Stellen Sie KEINE Gegenstände auf den CD-Player.
- Die Spannung, an der der CD-1000 betrieben wird, sollte den Angaben auf der Geräterückseite entsprechen. Falls Sie diesbezüglich Zweifel haben, kontaktieren Sie einen Elektrofachmann.
- Wählen Sie einen Aufstellungsort, an dem der CD-1000 nicht direktem Sonnenlicht oder anderen Wärmequellen ausgesetzt ist. Vermeiden Sie ebenfalls Betriebsorte mit erhöhtem Staubaufkommen oder solche, die Erschütterungen, Hitze, Kälte sowie Feuchtigkeit ausgesetzt sind.
- Betreiben Sie den CD-1000 nicht auf Verstärkern, Endstufen, Receivern oder anderen Geräten, die Wärme erzeugen.
- Öffnen Sie nicht das Gehäuse, da dies Schäden an der Elektronik oder einen Stromschlag verursachen kann. Falls ein Fremdkörper ins Geräteinnere eingedrungen ist, kontaktieren Sie Ihren Fachhändler oder ein autorisiertes Servicecenter.
- Achten Sie beim Ziehen des Netzsteckers darauf, dass Sie stets am Stecker ziehen und niemals am Kabel.
- Reinigen Sie den CD-1000 nicht mit chemischen Lösungsmitteln, da diese das Gehäuse beschädigen können. Verwenden Sie ein sauberes, trockenes Tuch.
- Bewahren Sie diese Bedienungsanleitung an einem sicheren Ort auf, um jederzeit Etwas darin nachschlagen zu können.
- Bei eingeschaltetem CD-1000 können, nach Einschalten eines Fernsehgeräts, Linien im Fernsehbild erscheinen. Hierbei handelt es sich nicht um Fehlfunktionen, sondern um Interferenzen, die unter bestimmten Umständen auftreten können. Falls dieser Effekt auftritt, vergrößern Sie den Abstand zwischen SACD/CD-Player und TV-Gerät.

### BEWEGEN SIE DEN CD-1000 NICHT WÄHREND DER WIEDERGABE

Während der Wiedergabe rotiert die Disc im Laufwerk mit sehr hoher Geschwindigkeit. Heben oder bewegen Sie den SACD/CD-Player daher NICHT während der Wiedergabe, da dies Schäden der Disc sowie des Laser-Pickups verursachen kann.

### BEI UMZUG ODER WECHSEL DES AUFSTELLUNGORTES

Achten Sie darauf, dass sich keine Disc im Laufwerk des CD-1000 befindet, wenn Sie den SACD/CD-Player zwecks Umzug oder Wechsel des Aufstellungsortes verpacken. Wenn Sie den CD-1000 dennoch bewegen während sich eine Disc im Laufwerk befindet, kann der CD-1000 hierdurch beschädigt werden.

#### Achtung

Setzen Sie den CD-1000 weder Spritz- oder Tropfwasser, noch über längere Zeit hoher Luftfeuchtigkeit aus. Stellen Sie keine mit Flüssigkeiten gefüllten Objekte, wie etwa Vasen, auf den SACD/CD-Player.

Betreiben Sie den CD-1000 nicht in geschlossenen Möbeln, wie Schränken, Bücherregalen oder ähnlichen Möbelstücken.

### Pflegehinweis

Falls die Gehäuseoberfläche verschmutzt ist, verwenden Sie zum Reinigen ein weiches Tuch oder milde Seifenlösung. Achten Sie darauf, dass die Gehäuseoberfläche vor der erneuten Inbetriebnahme des CD-1000 komplett trocken ist. Verwenden Sie niemals Verdüner oder Alkohol, da diese Substanzen die Gehäuseoberfläche beschädigen können.

Der CD-1000 unterstützt folgende Disc-Typen:

#### CDs, die das „COMPACT DISC DIGITAL AUDIO“-Logo tragen.



- Discs mit Durchmessern von 12 cm oder 8 cm
  - Linear PCM DigitalAudio
- Audio-CDs sind in Titel unterteilt.

#### Super Audio CDs, die das „Super Audio CD“-Logo tragen.



- Einschicht-, Zweischicht- oder Hybrid-Discs
  - Discs mit einem Durchmesser von 12cm
  - DigitalAudio (DSD)
- Super Audio-CDs sind in Titel unterteilt.

#### CD-R und CD-RW Discs, die gemäß Audio-CD Format korrekt geschrieben und finalisiert wurden.

#### Hinweis

- Abhängig von der Qualität der Disc sowie der darauf vorliegenden Daten, können einige CD-R/CD-RW Discs möglicherweise nicht wiedergegeben werden.
- Discs mit Kopierschutz sowie andere, nicht dem CD-Standard entsprechende Discs, werden vom CD-1000 möglicherweise nicht fehlerfrei wiedergegeben. Falls Sie solche Discs in diesem SACD/CD-Player verwenden, übernimmt die TEAC Corporation und deren Niederlassungen keinerlei Haftung für etwaige Folgen oder die Qualität der Wiedergabe. Falls bei der Verwendung nicht Standard-konformer Discs Probleme auftreten, wenden Sie sich bitte an den Hersteller der jeweiligen Disc.
- Legen Sie Discs stets mit der Labelseite nach oben in die Disc-Schublade.
- Um eine Disc aus der CD-Box zu entnehmen, drücken Sie behutsam auf den mittleren Haltering, ergreifen Sie die Disc vorsichtig am äußeren Rand und nehmen Sie sie aus der Box.

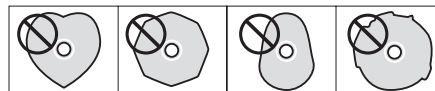


- Reinigen Sie verschmutzte Discs, indem Sie mit einem weichen, trockenen Tuch behutsam von der Mittenöffnung radial zur Kante der Disc hin wischen.



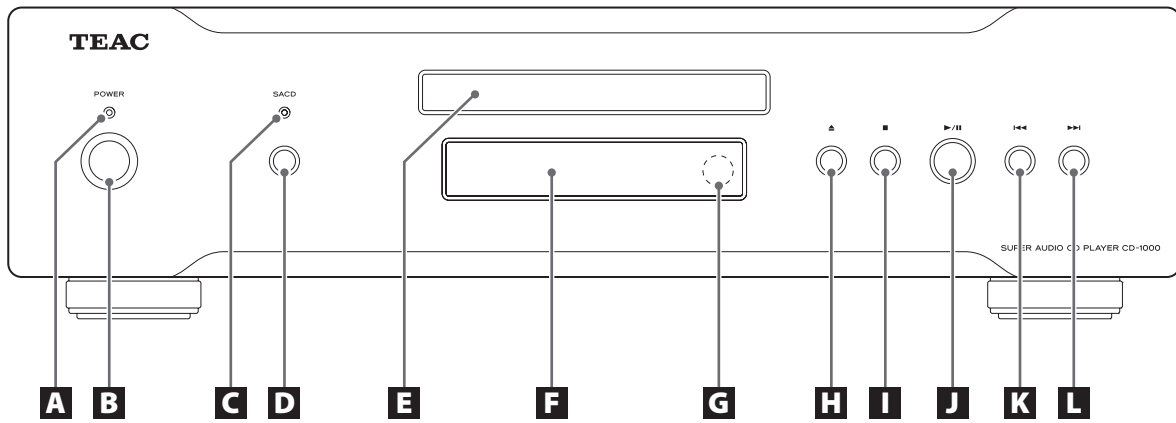
- Verwenden Sie zum Reinigen von Discs niemals Chemikalien, wie Antistatiksprays sowie -flüssigkeiten, Alkohol oder Verdüner, da diese Mittel die Kunststoffoberfläche einer Disc irreparabel zerstören.
- Um Discs vor Staub und Kratzern und damit vor Wiedergabefehlern zu schützen, sollten sie nach Gebrauch stets in ihrer CD-Box aufbewahrt werden.
- Setzen Sie Discs nicht über längere Zeit direkter Sonne, hohen Temperaturen oder Feuchtigkeit aus. Langzeitige Einwirkung hoher Temperaturen führt zu Verformungen der Disc.
- Zur Vermeidung irreparabler Laufwerkschäden sollten gewellte, verformte oder beschädigte Discs nicht wiedergegeben werden.
- CD-R und CD-RW Discs sind bezüglich Hitzeeinwirkung sowie ultravioletter Strahlung schadensanfälliger als industriell gefertigte CDs. Daher ist es wichtig, dass sie nicht an Orten aufbewahrt werden, an denen sie direkter Sonne, Heizkörpern, Heizlüftern oder anderen Wärmequellen ausgesetzt sind.
- Die Verwendung moderner Technologien zum Bedrucken von CD-R/CD-RW Discs sind grundsätzlich akzeptabel. Ältere, mit Klebeetiketten arbeitende Systeme sind hingegen nicht empfehlenswert.
- Kleben Sie kein Papier auf eine Disc, und verwenden Sie keine Schutzfolien oder Sprays, die einen Film auf der Disc bilden.
- Verwenden Sie zum Beschriften der Labelseite einer Disc stets einen weichen, auf Öl basierten Filzschreiber. Verwenden Sie niemals Kugelschreiber oder Schreibgeräte mit harter Spitze, da diese die Datenschicht einer Disc beschädigen könnten.
- Verwenden Sie niemals Disc-Stabilizer. Die Verwendung handelsüblicher CD-Stabilizer beschädigt die Laufwerksmechanik des CD-1000 und verursacht Fehlfunktionen.

- Verwenden Sie keine ungewöhnlich geformten Discs (achteckig, herzförmig, Vistenkartenformat, usw.), da diese den CD-1000 beschädigen könnten.



- Falls Sie bezüglich der Pflege und Handhabung von CD-R oder CD-RW Discs Fragen haben, lesen die der Disc beigefügten Hinweise oder wenden Sie sich direkt an den Hersteller.

## Frontansicht



**A** Netzanzeige

**B** Netzschalter (POWER)

**C** SACD-Anzeige

**D** SACD-Wahltaste

**E** Disc-Schublade

**F** Multifunktionsdisplay

**G** Fernbedienungssensor

**H** Öffnen/Schließen-Taste (▲)

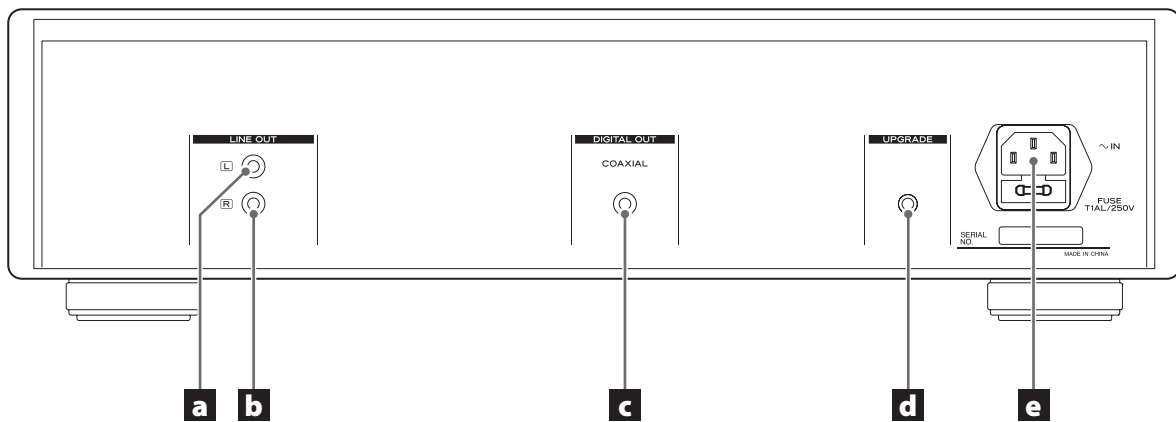
**I** Stopptaste (■)

**J** Wiedergabe-/Pause-Taste (▶/||)

**K** Rücksprungtaste (◀◀)

**L** Vorwärtssprungtaste (▶▶)

## Rückansicht



**a** Linker Analogausgang

**b** Rechter Analogausgang

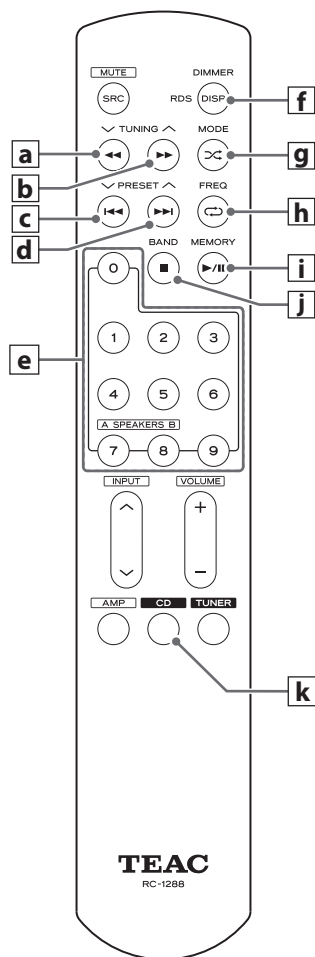
**c** Koaxialer Digitalausgang

**d** Upgrade-Port

**e** Netzanschluss (mit Sicherung)



## Die Fernbedienung

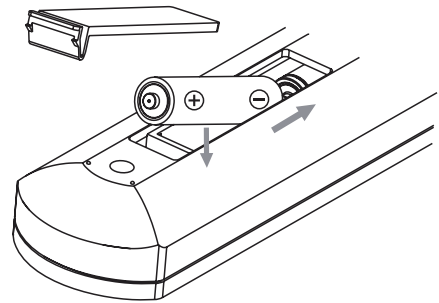


- a** Schnelle Rückwärtssuche (◀◀)
- b** Schnelle Vorwärtssuche (▶▶)
- c** Rücksprungtaste (◀◀)
- d** Vorwärtssprungtaste (▶▶)
- e** Zifferntasten (0-9)
- f** Zeitanzeige (DISP)  
Betätigen Sie diese Taste zum Ändern der Display-Helligkeit länger als zwei Sekunden.
- g** Wiedergabe nach dem Zufallprinzip (⌂)
- h** Wiederholungsfunktionstaste (↺)
- i** Wiedergabe-/Pausetase (▶/||)
- j** Stoptaste (■)
- k** CD-Taste (CD)

## Hinweise

- Betätigen Sie die CD-Taste und wählen Sie „CD“, bevor Sie die Fernbedienung weiter verwenden.
- Der effektive Betriebsradius der Fernbedienung beträgt maximal zehn Meter und der Richtwinkel beträgt maximal 30 Grad.
- Tasten der Fernbedienung, die hier nicht erklärt werden, besitzen keine Funktion zur Steuerung des CD-Players. Daher ist es normal, dass bei deren Betätigen keine Funktion ausgelöst wird.

## Einsetzen der Batterien



- 1** Öffnen Sie die Batteriefachabdeckung der Fernbedienung.
- 2** Setzen Sie zwei Batterien des Typs „AAA“ ein. Achten Sie hierbei auf deren korrekte Polarität: (+) kennzeichnet den Pluspol und (-) den Minuspol.
- 3** Schließen Sie die Batteriefachabdeckung.

## Ein-/Ausschalten

Schließen Sie die Signalkabel und das Netzkabel am CD-1000 an. Schalten Sie den CD-1000 anschließend mittels Netzschalter auf der Gerätevorderseite ein. Der Schalter befindet sich nun in der ON-Position (☐). Die Netzanzeige leuchtet, und der SACD/CD-Player befindet sich im normalen Betriebsmodus.

Betätigen Sie zum Ausschalten ebenfalls den Netzschalter. Der Schalter befindet sich danach in der OFF-Position (☐) und die Netzanzeige erlischt. Ziehen Sie den Netzstecker, wenn Sie den SACD/CD-Player über einen längeren Zeitraum nicht verwenden..

## SACD/CD-Umschaltung

Sofern sich eine Dual-Layer SACD/CD Disc im Laufwerk befindet und vom CD-1000 erkannt wurde, kann durch Betätigen der SACD-Taste auf der Frontseite des CD-1000 zwischen SACD- und CD-Layer umgeschaltet werden.

Bei Wiedergabe des „SACD“-Layers leuchtet die „SACD“-Anzeige auf der Gerätevorderseite des CD-1000. Bei Wiedergabe des „CD“-Layers leuchtet die „SACD“-Anzeige nicht

## Öffnen/Schließen der Disc-Schublade

Betätigen Sie zum Öffnen sowie Schließen der Disc-Schublade die Öffnen/Schließen-Taste (▲) auf der Frontseite des CD-1000.

## Wiedergabe/Pause

Sofern die im Laufwerk befindlich Disc korrekt geladen wurde und derzeit keine Wiedergabe erfolgt, betätigen Sie zum Starten der Wiedergabe die Wiedergabe-/Pausetaste (▶/||) am CD-1000 oder auf der Fernbedienung.

Wenn Sie die Wiedergabe-/Pausetaste (▶/||) am CD-1000 oder auf der Fernbedienung während der Wiedergabe betätigen, wird die Wiedergabe vorübergehend unterbrochen (PAUSE). Durch nochmaliges Betätigen der Taste wird die Wiedergabe ab der Position fortgesetzt, an der sie zuvor unterbrochen wurde.

## Aufrufen des vorherigen/folgenden Titels

Um die Wiedergabe ab Anfang des vorherigen Titels zu starten, betätigen Sie die Rücksprungtaste (◀◀) am CD-1000 oder auf der Fernbedienung zweimal. Wenn Sie die Rücksprungtaste (◀◀) nur einmal betätigen, wird der aktuelle Titel erneut von Anfang an wiedergegeben.

Um die Wiedergabe ab Anfang des folgenden Titels zu starten, betätigen Sie einmal die Vorwärtssprungtaste (▶▶) am CD-1000 oder auf der Fernbedienung.

## Schnelle Vor- /Rückwärtssuche

Während der Wiedergabe starten Sie durch Betätigen der „Schnelle Rückwärtssuche“-Taste (◀◀) auf der Fernbedienung die Rückwärtssuche. Lassen Sie die Taste los, wenn Sie die gesuchte Passage gefunden haben. Die Wiedergabe wird mit normaler Geschwindigkeit fortgesetzt.

Während der Wiedergabe starten Sie durch Betätigen der „Schnelle Vorwärtssuche“-Taste (▶▶) auf der Fernbedienung die Vorwärtssuche. Lassen Sie die Taste los, wenn Sie die gesuchte Passage gefunden haben. Die Wiedergabe wird mit normaler Geschwindigkeit fortgesetzt.

## Titeldirektwahl mittels Zifferntasten

Einstellige Titelnummern können durch Betätigen der entsprechenden Zifferntaste (1 – 9), auf der Fernbedienung, direkt zur Wiedergabe ausgewählt werden. Um höhere Titelnummern auszuwählen, betätigen Sie innerhalb von zwei Sekunden die Zifferntaste, die der Zehnerstelle (1 – 9) und die Zifferntaste (0 – 9), die der Einerstelle der gewünschten Titelnummer entspricht.

## Die Wiederholfunktion

Betätigen Sie einmal die Wiederholfunktionstaste (↺) auf der Fernbedienung, um den aktuellen Titel wiederholt wiederzugeben. Im Display erscheint der Buchstabe „T“ vor der Titelnummer. Wenn Sie die Wiederholfunktionstaste (↺) nochmals betätigen, werden alle Titel der Disc wiederholt. Im Display erscheint nun der Buchstabe „A“ vor der Titelnummer.

## Titelauswahl nach dem Zufallprinzip

Betätigen Sie während der Wiedergabe oder wenn keine Wiedergabe stattfindet die „Zufall“-Taste (⚡) auf der Fernbedienung. Im Display erscheint der Buchstabe „R“ (Random). Die Titel werden nun zufällig ausgewählt und wiedergegeben.

Durch erneutes Betätigen der „Zufall“-Taste (⚡) oder einmaliges Betätigen der Stopptaste (■) wird die zufällige Titelauswahl abgebrochen.

## Wählen der Display-Helligkeit

Betätigen Sie zum Auswählen der Display-Helligkeitsstufe die Zeitanzeigetaste (DISP) auf der Fernbedienung. Die Helligkeit des Displays wird ebenfalls durch die Umgebungslichtverhältnisse beeinflusst.

Bei jedem Betätigen (länger als zwei Sekunden) der Zeitanzeigetaste (DISP) wechselt die Helligkeit zwischen folgenden Stufen: „HIGH“, „LOW“ und „OFF“.

- Nach dem Einschalten des CD-1000 ist automatisch die hellste Beleuchtungsstufe des Displays (HIGH) aktiviert.

## Hilfe bei Funktionsstörungen

Falls beim CD-1000 Funktionsstörungen auftreten sollten, versuchen Sie bitte, anhand der folgenden Hinweise selbst Abhilfe zu schaffen, bevor Sie sich an Ihren Fachhändler oder den TEAC-Kundenservice/technischen Support wenden (Kontaktadressen finden Sie auf der Rückseite dieser Anleitung).

### Kein Strom

- ➔ Überprüfen Sie die Verbindung zwischen dem SACD/CD-Player und der Wandsteckdose. Stellen Sie sicher, dass diese nicht über einen Schalter ausgeschaltet ist. Überprüfen Sie die verwendete Steckdose, indem Sie andere Verbraucher (Ventilator, Lampe) daran testen.

### Die Fernbedienung funktioniert nicht.

- ➔ Schalten Sie den CD-1000 mittels Netzschalter (POWER) ein.
- ➔ Ersetzen Sie verbrauchte Batterien durch frische.
- ➔ Richten Sie die Fernbedienung zum Übermitteln von Steuerungsbefehlen innerhalb des Betriebsradius (10 m) auf den Infrarotsensor auf der Gerätevorderseite.
- ➔ Entfernen Sie etwaige Hindernisse zwischen der Fernbedienung und dem SACD/CD-Player.

### Keine Wiedergabe

- ➔ Überprüfen Sie die Verbindung zum Verstärker.
- ➔ Überprüfen Sie die einwandfreie Funktion des Verstärkers.
- ➔ Abhängig von der Disc und anderen Umständen können CD-R/RW Discs möglicherweise nicht wiedergegeben werden. Versuchen Sie eine andere Disc wiederzugeben.
- ➔ Nicht finalisierte CD-R/RW Discs können nicht wiedergegeben werden. Finalisieren Sie eine solche mittels CD-Rekorder, und versuchen Sie sie danach erneut wiederzugeben.

### SACD/CD wird nicht wiedergegeben

- ➔ Laden Sie eine Disc mit der Labelseite nach oben.
- ➔ Reinigen Sie die Disc, falls sie verschmutzt sein sollte.
- ➔ Abhängig von der Disc und anderen Umständen können CD-R/RW Discs möglicherweise nicht wiedergegeben werden. Versuchen Sie eine andere Disc wiederzugeben.
- ➔ Nicht finalisierte CD-R/RW Discs können nicht wiedergegeben werden. Finalisieren Sie eine solche mittels CD-Rekorder, und versuchen Sie sie danach erneut wiederzugeben.

### Tonaussetzer

- ➔ Betreiben Sie den CD-1000 an einem stabilen, vibrations- und erschütterungsfreien Aufstellungsort.
- ➔ Reinigen Sie die Disc, falls sie verschmutzt sein sollte.
- ➔ Verwenden Sie niemals verkratzte, beschädigte oder verwellte Discs.

## Technische Daten

Frequenzgang .....	20 Hz - 20 KHz ( $\pm 0.5$ dB)
Dynamikbereich .....	98 dB oder mehr (CD) 110 dB oder mehr (SACD)
Rauschabstand (S/N).....	110 dB oder mehr
Verzerrung (T.H.D.).....	0,003 % oder weniger
Stereo-Kanaltrennung .....	110 dB oder mehr
Analoger Ausgangspegel .....	2.30 Vrms
Digitalausgang.....	koaxial (0.5Vp-p 75 $\Omega$ )
Spannungsversorgung.....	AC 230 V, 50 Hz
Leistungsaufnahme (nominal).....	10 W
Abmessungen (B x H x T).....	435 x 116 x 366 mm
Gewicht .....	7,2 kg
Betriebstemperatur .....	+5° C - +35° C
Luftfeuchtigkeit (Betrieb).....	5 % - 85 % (nicht kondensierend)
Lagerungstemperatur.....	-10° C - +55° C

### Zubehör


- Netzkabel x 1
- Fernbedienung x 1
- AAA-Batterien x 2
- Garantiekarte x 1
- Bedienungsanleitung x 1

- Änderungen in Design und technischer Ausstattung vorbehalten.
- Gewichtsangaben und Abmessungen sind Näherungswerte.
- Illustrationen können geringfügig von den Produktionsmodellen abweichen.


- Non esporre questo apparecchio a gocce o spruzzi d'acqua.
- Non appoggiare sopra l'apparecchio oggetti contenenti acqua o liquidi di altro genere.
- Non installare questo apparecchio in uno spazio ristretto come una libreria o luoghi simili.
- L'apparecchio consuma una insignificante quantità di corrente con l'alimentazione POWER o STANDBY/ON non in posizione ON.
- Questo apparecchio deve essere collocato sufficientemente vicino alla presa di corrente affinché questa possa essere raggiunta con facilità in ogni momento.
- La spina è utilizzata come dispositivo di scollegamento e deve rimanere sempre operabile.
- I prodotti costruiti in Classe I sono dotati di un cavo di alimentazione con un polo di terra. Il cavo di un tale prodotto deve essere inserito in una presa AC con collegamento di protezione a terra.
- Se il prodotto utilizza batterie (incluso un pacco batterie o batterie installate), non dovrebbero essere esposte alla luce solare, fuoco o calore eccessivo.
- **ATTENZIONE** per i prodotti che utilizzano batterie al litio sostituibili: esiste il pericolo di esplosione se la batteria viene sostituita con una di tipo scorretto. Sostituire solo con lo stesso tipo o equivalente.
- Si deve usare cautela quando si usano auricolari o cuffie con il prodotto poiché una eccessiva pressione sonora (volume) negli auricolari o in cuffia può causare la perdita dell'udito.

### Per gli utenti europei

#### Smaltimento delle apparecchiature elettriche ed elettroniche

- Tutte le apparecchiature elettriche ed elettroniche devono essere smaltite separatamente dai rifiuti urbani mediante impianti di raccolta designati dal governo o dalle autorità locali.
- Con lo smaltimento corretto di apparecchiature elettriche ed elettroniche, si contribuisce a risparmiare preziose risorse ed evitare potenziali effetti negativi sulla salute umana e l'ambiente.
- Gli impianti di smaltimento improprio di rifiuti elettrici ed elettronici possono avere gravi conseguenze sull'ambiente e sulla salute umana a causa della presenza di sostanze pericolose nelle apparecchiature.
- Il simbolo RAEE (Rifiuti Apparecchiature Elettriche ed Elettroniche), che mostra un bidone con ruote barrato, indica che le apparecchiature elettriche ed elettroniche devono essere raccolte e smaltite separatamente dai rifiuti domestici. 
- I centri di raccolta sono disponibili per gli utenti finali. Per informazioni più dettagliate circa lo smaltimento delle vecchie apparecchiature elettriche ed elettroniche, contattare il negozio dove è stato acquistato l'apparecchio o l'autorità locale.

#### Smaltimento delle pile e/o accumulatori

- I rifiuti di pile e/o accumulatori devono essere smaltiti separatamente dai rifiuti urbani mediante impianti di raccolta designati dal governo o dalle autorità locali.
- Lo smaltimento corretto dei rifiuti di pile e/o accumulatori contribuisce a risparmiare preziose risorse ed evitare potenziali effetti negativi sulla salute umana e l'ambiente.
- Lo smaltimento non corretto dei rifiuti di pile e/o accumulatori possono avere gravi conseguenze sull'ambiente e sulla salute umana a causa della presenza di sostanze pericolose in essi.
- Il simbolo RAEE, che mostra un contenitore con ruote barrato, indica che le pile e/o accumulatori devono essere raccolti e smaltiti separatamente dai rifiuti domestici.  Se una pila o accumulatore contiene più dei valori specificati di piombo (Pb), mercurio (Hg) e/o di cadmio (Cd) come definito nella direttiva 2006/66/CE, i simboli chimici di questi elementi verranno indicati sotto il simbolo RAEE.
- I centri di raccolta sono disponibili per gli utenti finali. Per informazioni più dettagliate circa lo smaltimento dei rifiuti di pile e/o accumulatori, contattare il negozio dove è stato acquistato l'apparecchio o l'autorità locale.

**Grazie per aver scelto TEAC. Leggere attentamente questo manuale per ottenere le migliori prestazioni con questa unità.**

Prima dell'uso .....	37
Dischi .....	38
Identificazione delle parti .....	40
Operazioni di base .....	42
Risoluzione dei problemi .....	43
Specifiche .....	43

## Leggere qui prima di effettuare operazioni

- Fare attenzione a evitare lesioni quando si sposta l'unità, a causa del suo peso. Farsi aiutare da qualcuno se necessario.
- Per proteggere i mobili da graffi, è possibile applicare i piedini in feltro forniti con l'unità.
- Poiché l'unità si riscalda durante il funzionamento, lasciare sempre spazio sufficiente intorno all'unità per la ventilazione. I fori per la ventilazione non dovrebbero essere coperti. Assicurarsi che ci siano almeno 20 cm di spazio al di sopra e almeno 5 cm su ogni lato dell'unità. **NON** collocare nulla sopra l'unità.
- La tensione di alimentazione dell'unità deve corrispondere alla tensione stampata sul pannello posteriore. Se si è in dubbio, consultare un elettricista.
- Scegliere il luogo per l'installazione dell'unità con attenzione. Evitare di esporla alla luce diretta del sole o vicino a una fonte di calore. Evitare anche luoghi soggetti a vibrazioni eccessive e polvere, calore, freddo o umidità.
- Non collocare l'apparecchio su un amplificatore o qualsiasi altro dispositivo che genera calore.
- Non aprire lo chassis in quanto ciò potrebbe causare scosse o corto circuiti elettrici. Se un oggetto estraneo dovesse entrare nell'unità, contattare il rivenditore o l'assistenza tecnica.
- Quando si rimuove il cavo di alimentazione dalla presa a muro, afferrare sempre la spina e non tirare il cavo.
- Non tentare di pulire l'unità con solventi chimici perché potrebbero danneggiare la finitura. Usare un panno asciutto e pulito.
- Conservare questo manuale in un luogo sicuro per future consultazioni.
- Quando l'unità è accesa, se un televisore è acceso nelle vicinanze possono apparire righe sullo schermo del televisore a seconda della frequenza della trasmissione televisiva. Questo non è un malfunzionamento dell'apparecchio o della TV. Se appaiono queste righe, tenere l'unità e il televisore più distanti.

### NON SPOSTARE L'UNITÀ DURANTE LA RIPRODUZIONE

Durante la riproduzione, il disco ruota ad alta velocità. Non sollevare o spostare l'unità durante la riproduzione. Ciò potrebbe danneggiare il disco o il meccanismo del laser.

### QUANDO SI SPOSTA L'UNITÀ

Quando si sposta l'unità o si imballa per un trasloco, assicurarsi di rimuovere il disco. Lo spostamento dell'unità con il disco inserito può causare danni a questa unità.

#### CAUTELA

Questo prodotto non dovrebbe essere esposto a umidità e non dovrebbero essere posti sopra il prodotto oggetti contenenti liquidi, come vasi.

Non installare questa apparecchiatura in uno spazio ristretto come una libreria o luoghi simili.

### Manutenzione

Se la superficie dell'unità si sporca, strofinare con un panno morbido o utilizzare un liquido neutro diluito per la pulizia. Assicurarsi di rimuovere completamente qualsiasi traccia di liquido. Non usare diluenti o alcool in quanto potrebbero danneggiare la superficie dell'unità.

### Dischi riproducibili con questa unità:

#### CD audio tradizionali con riportato il logo "COMPACT disc DIGITAL AUDIO" sull'etichetta.



- Dischi da 12 cm (4.7") o 8cm (3.15")
  - Audio digitale PCM lineare
- I CD audio sono divisi in tracce.

#### Super Audio CD con riportato il logo "Super Audio CD".



- Singolo strato, doppio strato o strato ibrido
  - Dischi da 12 cm (4.7")
  - Audio digitale (DSD)
- I Super Audio CD sono divisi in tracce.

#### CD-R e CD-RW che sono stati correttamente registrati nel formato CD audio (CD-DA) e finalizzati.

#### Nota

- A seconda della qualità del disco e/o le condizioni della registrazione, alcuni dischi CD-R/CD-RW potrebbero non essere riproducibili.
- I dischi protetti da copia e altri dischi non conformi allo standard CD potrebbero non essere riprodotti correttamente da questo lettore. Se si utilizzano tali dischi in questo apparecchio, TEAC Corporation e le sue filiali non saranno responsabili per le conseguenze o garantire la qualità di riproduzione. In caso di problemi con tali dischi non-standard, è necessario contattare i rispettivi produttori.
- Riporre sempre il disco sul vassoio con il lato etichetta verso l'alto.
- Per rimuovere un disco dalla sua custodia, premere il centro della custodia e sollevare il disco, tenendolo con attenzione per i bordi.

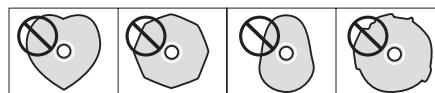


- Se il disco si sporca, pulire la superficie con un panno morbido e asciutto in senso radiale (dal foro centrale verso il bordo esterno).



- Non usare mai prodotti chimici come spray per dischi, spray o liquidi antistatici, alcool o solventi per pulire i dischi. Tali sostanze possono causare danni irreparabili alla superficie plastica del disco.
- I dischi dovrebbero essere riposti nella custodia dopo l'uso per evitare che polvere e graffi possano causare "salti" del pick-up laser.
- Non esporre i dischi alla luce solare diretta o forte umidità e temperature elevate per lunghi periodi. Una lunga esposizione ad alte temperature può piegare il disco.
- Non riprodurre un disco deformato, piegato o danneggiato. La riproduzione di tali dischi può causare danni irreparabili ai meccanismi interni.
- I dischi CD-R e CD-RW, rispetto ai CD commerciali, sono più sensibili agli effetti del calore e ai raggi ultravioletti. È importante che non vengano custoditi in luoghi esposti alla luce solare diretta e comunque lontano da fonti di calore come radiatori o da dispositivi elettrici che generano calore.
- I supporti CD-R e CD-RW che usano moderne tecnologie di stampa sono generalmente accettabili, non sono raccomandati invece i vecchi sistemi che utilizzano adesivi per attaccare le etichette di carta alla superficie del disco.
- Non incollare carta o fogli di protezione sui dischi e non utilizzare alcun tipo di spray protettivo di rivestimento.
- Usare un pennarello con punta morbida per scrivere le informazioni sul lato dell'etichetta. Non usare mai una penna biro o con punta dura per non danneggiare il lato registrato.
- Non usare mai uno stabilizzatore. L'uso di stabilizzatori di CD disponibili in commercio con questa unità può danneggiare i meccanismi e causare malfunzionamenti.

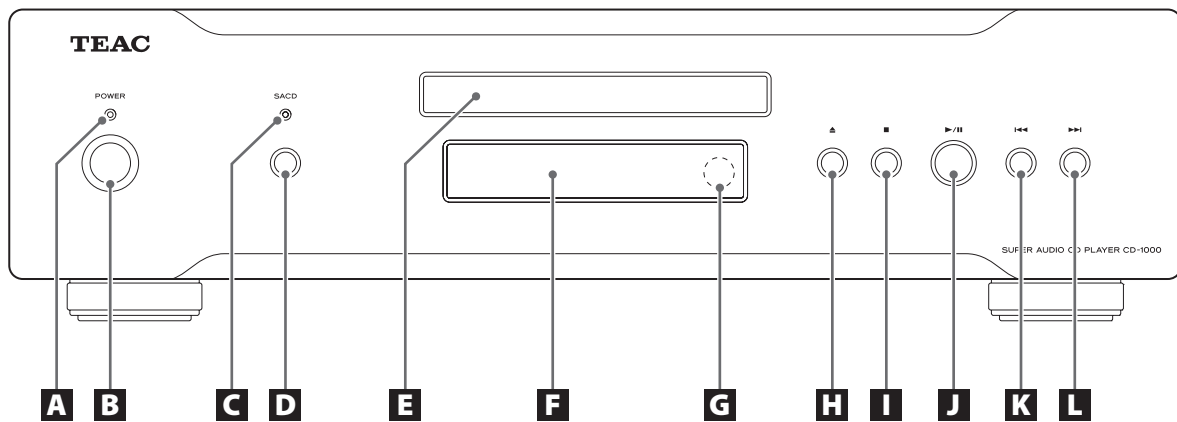
- Non utilizzare CD di forma irregolare (ottagonale, a forma di cuore, formato biglietto da visita ecc.). I CD di questo tipo possono danneggiare l'unità.



- Se si è in dubbio per quanto riguarda la cura e la gestione di un disco CD-R/CD-RW, leggere le avvertenze fornite con il disco, oppure contattare direttamente il produttore del disco.

# Identificazione delle parti

## Pannello frontale



**A** Indicatore POWER

**B** Pulsante POWER

**C** Indicatore SACD

**D** Interruttore di cambio SACD

**E** Caricatore del disco

**F** Finestra display multifunzione

**G** Ricevitore del telecomando

**H** Pulsante di apertura/chiusura (▲)

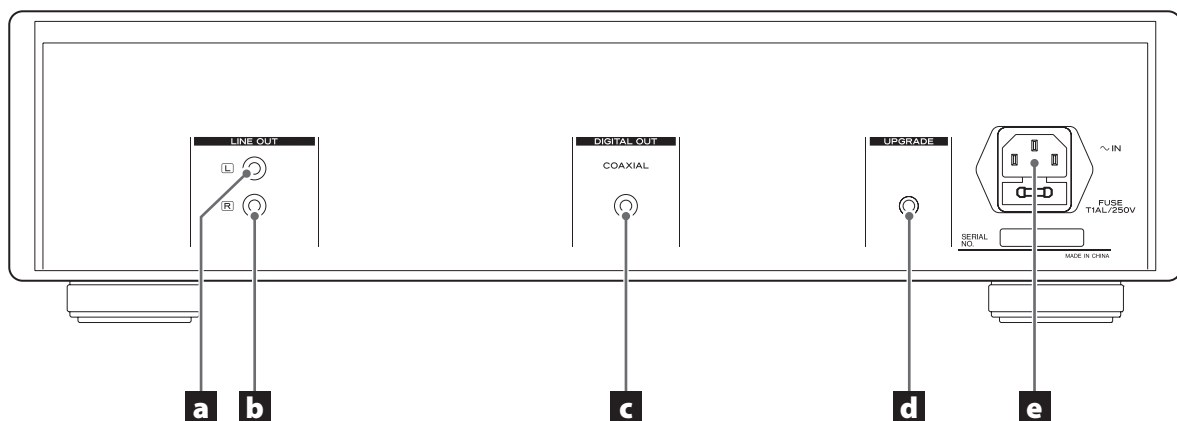
**I** Pulsante di Stop (■)

**J** Pulsante di riproduzione/pausa (▶/||)

**K** Pulsante di traccia precedente (◀◀)

**L** Pulsante di traccia successiva (▶▶)

## Pannello posteriore



**a** Uscita del segnale analogico di sinistra

**b** Uscita del segnale analogico di destra

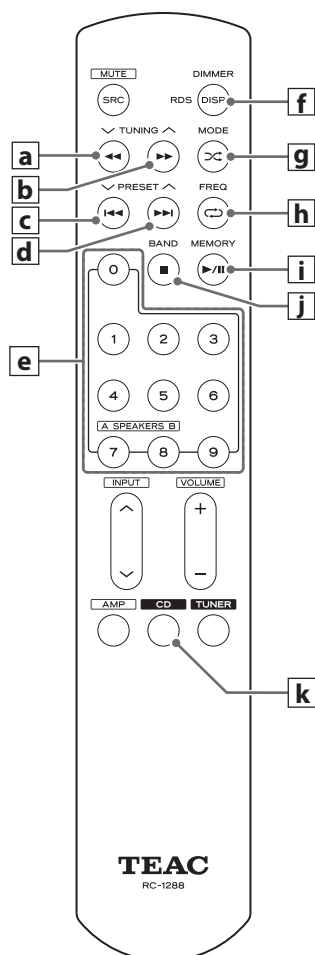
**c** Uscita del segnale digitale coassiale

**d** Porta per l'aggiornamento

**e** Presa di alimentazione AC (con fusibile)



## Telecomando



**a** Riavvolgimento veloce (◀◀)

**b** Avanzamento veloce (▶▶)

**c** Pulsante traccia precedente (◀◀)

**d** Pulsante traccia successiva (▶▶)

**e** Pulsanti numerici (0-9)

**f** Pulsante display del tempo (DISP)

Tenere premuto 2 o 3 secondi per la regolazione della luminosità

**g** Pulsante di riproduzione casuale (⌘)

**h** Pulsante di riproduzione ripetuta (↺)

**i** Pulsante riproduzione/pausa (▶/||)

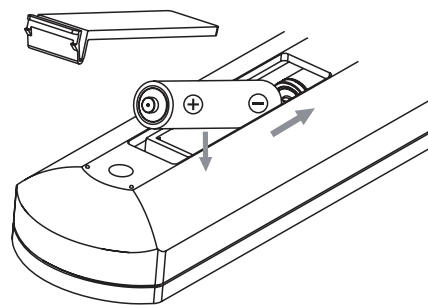
**j** Pulsante Stop (■)

**k** Pulsante CD (CD)

## Nota prima di utilizzare il telecomando

- Premere il pulsante CD per passare alla modalità CD prima di controllare l'unità utilizzando il telecomando.
- La portata effettiva del telecomando non è superiore a 10 metri entro un angolo non superiore a 30 gradi.
- I pulsanti che non sono elencati o menzionati nel telecomando non vengono utilizzati per questa unità. È normale che non ci sia alcuna risposta se premuti.

## Installazione delle batterie



**1** Aprire il coperchio del telecomando.

**2** Inserire due batterie AAA. Assicurarsi che le batterie siano inserite correttamente con il loro polo positivo ⊕ e negativo ⊖.

**3** Chiudere il coperchio.

## Accensione/spengimento

Collegare il cavo di alimentazione all'unità. Poi premere il pulsante POWER del pannello frontale per accendere l'unità (⏻). Ora l'indicatore di alimentazione sul pannello frontale è acceso e l'unità è in modalità di funzionamento normale.

Per spegnere l'unità, premere l'interruttore POWER del pannello frontale in posizione OFF (⏻), l'indicatore di alimentazione e l'unità sono spenti. Staccare il cavo di alimentazione AC dalla presa di corrente principale quando l'unità non viene usata per un lungo periodo di tempo.

## Cambio SACD/CD

Quando viene caricato e riconosciuto dall'unità un disco SACD/CD a doppio strato, premere il pulsante SACD sul pannello frontale per passare dallo strato SACD allo strato CD.

Se lo strato SACD è attualmente in riproduzione, l'indicatore SACD sul pannello frontale si accende. Se si sta riproducendo lo strato CD, l'indicatore SACD non si accenderà.

## Apertura/chiusura del vassoio del disco

Premere il pulsante di apertura/chiusura (⏻) del pannello frontale per aprire o chiudere il vassoio del disco.

## Riproduzione/pausa

Con il disco caricato correttamente o in modalità di arresto, premere il pulsante di riproduzione/pausa (▶/⏸) dell'unità o del telecomando per la riproduzione del disco corrente.

In modalità di riproduzione, premere il pulsante riproduzione/pausa (▶/⏸) dell'unità o del telecomando per mettere in pausa il disco corrente. Premere di nuovo il pulsante per tornare alla modalità di riproduzione normale.

## Traccia precedente/successiva

Premere il pulsante di traccia precedente (◀◀) dell'unità o del telecomando due volte per passare all'inizio della traccia precedente. La riproduzione si avvia automaticamente. Premendo solo una volta il pulsante di traccia precedente (◀◀), si avvia la riproduzione dall'inizio della traccia corrente.

Premere il pulsante di traccia successiva (▶▶) dell'unità o del telecomando per passare alla traccia successiva e avviare la riproduzione.

## Riavvolgimento veloce/avanzamento veloce

In modalità di riproduzione normale, premere il pulsante di riavvolgimento veloce (◀◀) del telecomando per riavvolgere

velocemente. Rilasciare il pulsante per tornare alla modalità di riproduzione normale.

In modalità di riproduzione normale, premere il pulsante di avanzamento veloce (▶▶) del telecomando per avanzare velocemente. Rilasciare il pulsante per tornare alla modalità di riproduzione normale.

## Selezione delle tracce con i pulsanti numerici

Per selezionare le tracce da 1 a 9, premere direttamente i pulsanti numerici da 1 a 9 del telecomando. Per selezionare la traccia 10 o superiore, premere prima il pulsante corrispondente alle decine e quindi un pulsante da 1 a 9 corrispondente alle unità entro due secondi.

## Ripetizione della riproduzione

Se si desidera riprodurre ripetutamente la traccia corrente, premere una volta il pulsante di riproduzione ripetuta (↺) del telecomando. Lo schermo mostrerà "T" prima della traccia. Se si desidera riprodurre l'intero disco ripetutamente, premere il pulsante di riproduzione ripetuta (↺) del telecomando. Lo schermo mostrerà "A" prima del numero della traccia.

## Riproduzione casuale

In modalità di Stop o durante la riproduzione, premere il pulsante di riproduzione casuale (⚡) del telecomando. Lo schermo mostrerà il carattere "R", che indica la modalità di riproduzione casuale (Random).

Per annullare questa funzione durante il processo di riproduzione casuale, premere il pulsante di riproduzione casuale (⚡) o premere una volta il pulsante Stop (■).

## Regolazione della luminosità del display

Premere il pulsante display (DISP) del telecomando per regolare la luminosità dei caratteri sul display in base alla luminosità dell'ambiente.

Se si tiene premuto il pulsante display (DISP) per 2 o 3 secondi, la luminosità del display alternerà le voci "HIGH, LOW e OFF" (luminosità ALTA, BASSA e SPENTA).

- Il display ha la luminosità impostata su "HIGH" all'avvio.

## Risoluzione dei problemi

Se si verificano problemi con l'unità, si prega di leggere questa tabella prima di rivolgersi all'assistenza tecnica. Se il problema persiste, contattare il rivenditore o il servizio clienti/assistenza tecnica TEAC (indicato sul retro della copertina).

### Nessuna alimentazione

- ➔ Controllare la connessione alla rete di alimentazione AC. Controllare e assicurarsi che la sorgente AC non sia una presa commutata e che, in tal caso, l'interruttore sia acceso. Assicurarsi che ci sia alimentazione dalla presa di corrente alternata inserendo nella presa un altro apparecchio, per esempio una lampada o un ventilatore.

### Il telecomando non funziona

- ➔ Premere l'interruttore POWER dell'unità principale per accenderla.
- ➔ Se le batterie sono scariche, cambiare le batterie.
- ➔ Puntare il telecomando verso il pannello frontale dell'unità entro il raggio specificato di 10 m.
- ➔ Togliere eventuali ostacoli tra il telecomando e l'unità principale.

### Nessun suono

- ➔ Controllare i collegamenti all'amplificatore.
- ➔ Controllare il funzionamento dell'amplificatore.
- ➔ A seconda del disco potrebbe non essere possibile riprodurre dischi CD-R/RW. Provare di nuovo con un altro disco.
- ➔ Non è possibile riprodurre dischi CD-R/RW non finalizzati. Finalizzare un disco in un registratore di CD e riprovare.

### Nessuna riproduzione

- ➔ Caricare il disco con il lato riproduzione rivolto verso il basso.
- ➔ Se il disco è sporco, pulire la superficie del disco.
- ➔ A seconda del disco potrebbe non essere possibile riprodurre dischi CD-R/RW. Provare di nuovo con un altro disco.
- ➔ Non è possibile riprodurre dischi CD-R/RW non finalizzati. Finalizzare un disco in un registratore di CD e riprovare.

### L'audio salta

- ➔ Posizionare l'unità su un luogo stabile per evitare vibrazioni e urti.
- ➔ Se il disco è sporco, pulire la superficie del disco.
- ➔ Non utilizzare dischi graffiati, danneggiati o deformati.

## Specifiche

Risposta in frequenza .....	20 Hz - 20 KHz ( $\pm 0,5$ dB)
Gamma dinamica .....	98 dB o più (CD) 110 dB o più (SACD)
Rapporto segnale/disturbo .....	110 dB o più
Distorsione armonica totale .....	0,003 % o meno
Separazione stereo .....	110 dB o più
Livello di uscita analogica .....	2,30 Vrms
Uscita digitale .....	Coassiale (0,5 V p-p 75 $\Omega$ )
Requisiti di alimentazione .....	AC 230 V, 50 Hz
Consumo (nominale) .....	10 W
Dimensioni (L x A x P) .....	435 x 116 x 366 mm
Peso .....	7,2 kg
Temperatura di esercizio .....	+5°C - +35°C
Umidità in funzionamento .....	5 % - 85 % (senza condensa)
Temperatura di stoccaggio .....	-10°C - +55°C

### Accessori

- Cavo di alimentazione x 1
- Telecomando x 1
- Batterie AAA x 2
- Cartolina di garanzia x 1
- Manuale di istruzioni x 1

- Design e specifiche sono soggetti a modifiche senza preavviso.
- Peso e dimensioni sono approssimativi.
- Le illustrazioni possono differire leggermente da modelli in produzione.

# TEAC

---

TEAC CORPORATION	1-47 Ochiai, Tama-shi, Tokyo 206-8530 Japan	Phone: (042) 356-9156
TEAC AMERICA, INC.	7733 Telegraph Road, Montebello, California 90640 U.S.A.	Phone: (323) 726-0303
TEAC CANADA LTD.	5939 Wallace Street, Mississauga, Ontario L4Z 1Z8, Canada	Phone: (905) 890-8008
TEAC MEXICO, S.A. DE C.V.	Río Churubusco 364, Colonia Del Carmen, Delegación Coyoacán, CP 04100, México DF, México	Phone: (5255) 5010-6000
TEAC UK Ltd.	Suites 19 & 20, Building 6, Croxley Green Business Park, Hatters Lane, Watford, Hertfordshire, WD18 8TE, U.K.	Phone: (0845) 130-2511
TEAC EUROPE GmbH	Bahnstraße 12, D-65205 Wiesbaden-Erbenheim, Deutschland	Phone: 0611-71580

---

This device has a serial number located on its rear panel. Please record the serial number and retain it for your records.

Model name: CD-1000      Serial number: \_\_\_\_\_

1111·MA-1770A